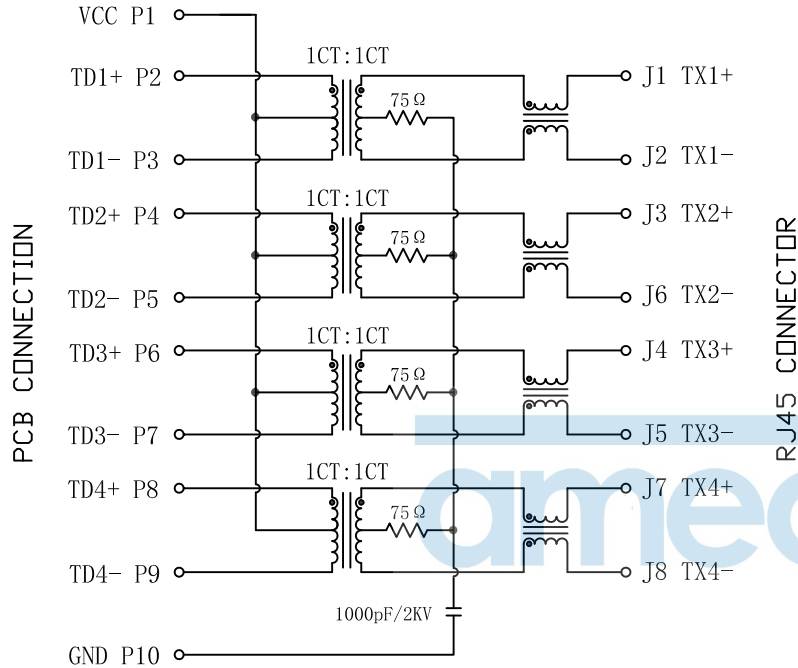


Schematic:

REV.	ECN NO.	DESCRIPTION	DATE	APPD
A	REL		2010-04-22	



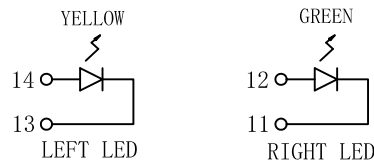
ELECTRICAL SPECIFICATIONS

TEST NOTES: (25°C ± 5°C)

- Turn ratio (±2%):
Pri:Sec = 1CT:1CT
- Inductance OCL: 350uH MIN
@100KHz/0.1V, 8mA DC Bias
- Insertion loss:
-0.8dB MAX @ 0.3-100MHz
-1.2dB MAX @ 100-120MHz
- Return loss:
-18dB MIN @ 0.5-40MHz
-12+20Log(f/80MHz) dB MIN @ 40-100MHz
- Cross talk:
-33+20Log(f/100MHz) dB MIN @ 0.1-100MHz
- Common to differential mode rejection:
-30dB MIN @ 0.3-100MHz
- Common to common mode rejection:
-30dB MIN @ 0.3-100MHz
- Hipot test: 1500VAC for 60 seconds
- Operating temperature range: 0 TO 70°C.



Langer Acker 30900 Wedemark Germany
info@amec-gmbh.de
www.amec-gmbh.de



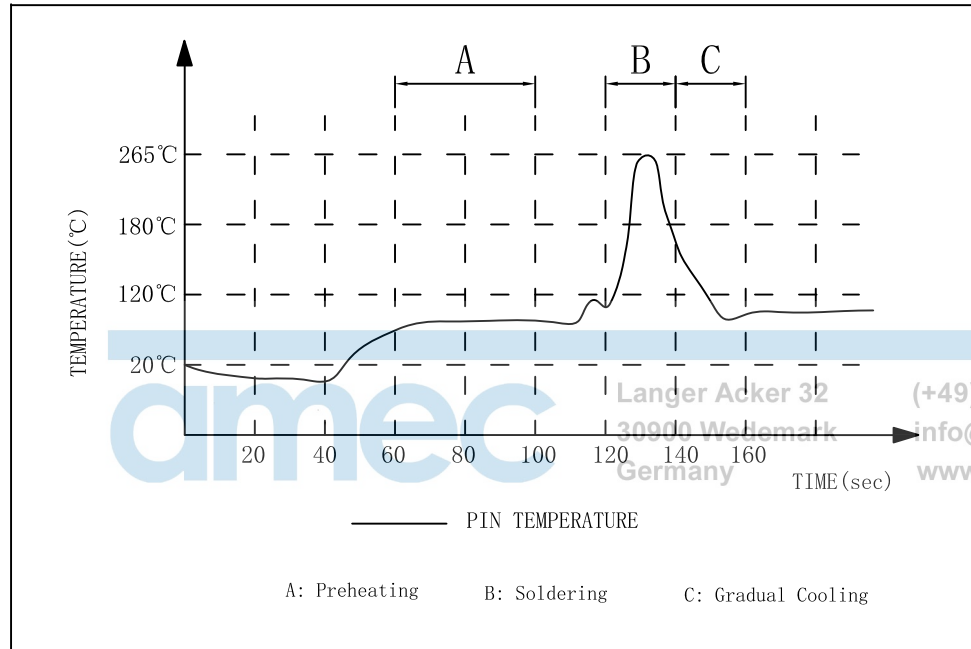
Emitting Color	λ p(nm)	VF@IF=20mA	IR @VR=5V
GREEN	565	1.8~2.6V	10 μ A max
YELLOW	585	1.8~2.6V	10 μ A max

X:X	±0.25	APPD:	Trxcom Huizhou Trxcom Electronics Co., Ltd.
X:XX	±0.20	CHKD:	
X:XXX	±0.05	DR: SEA	TITLE: RJ45 Connector with 1000 Base-T Integrated Magnetics
ANGLES	±1°	UNIT: mm	PART NO.: TRJG17320AGNL
	SCALE: 2/1	SHEET: 2/4	REV: A DWG NO.: TRC10042205

Profile of wave solder:

REV.	ECN NO.	DESCRIPTION	DATE	APPD
A	REL		2010-04-22	

SUGGESTED PROFILE OF WAVE SOLDER FOR ROHS PRODUCT

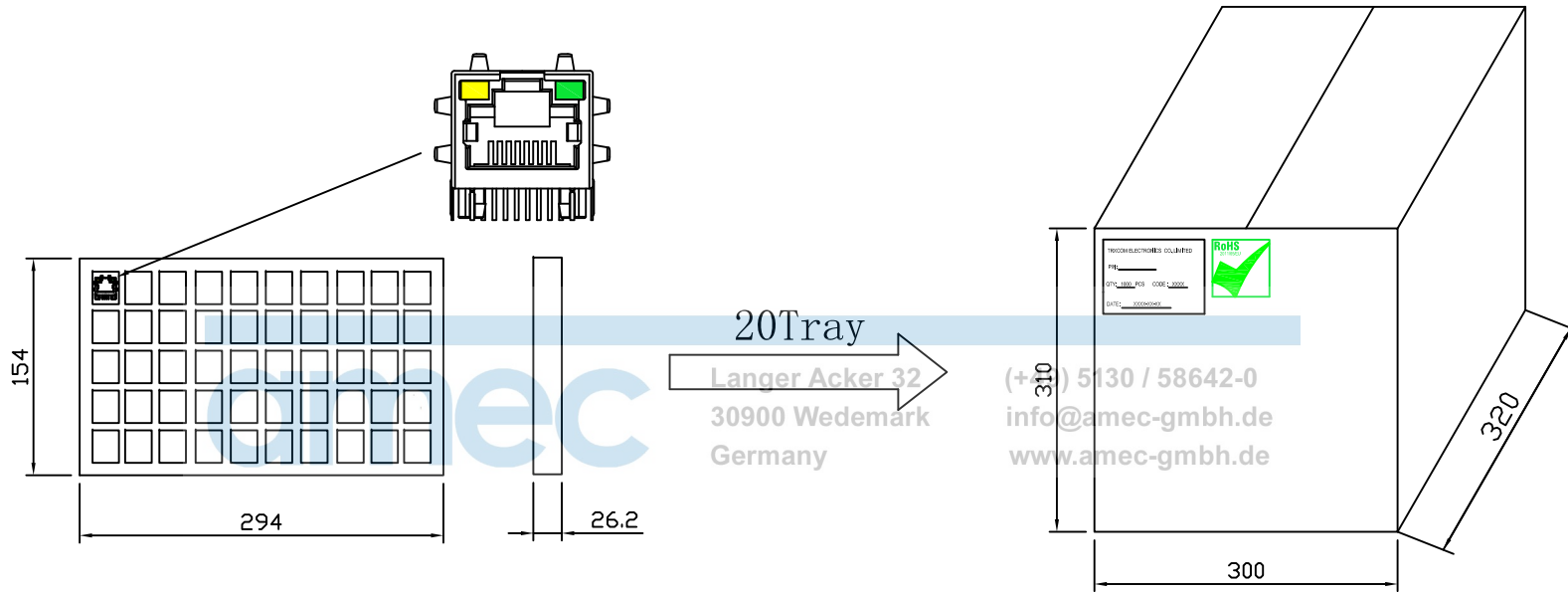


- (1) Tip Temperature: 265°C max
 - (2) Tip Temperature time: 5sec max
- Note: The melting point of Tin: 219°C

X:X ±0.25	APPD:	Trxcom Huizhou Trxcom Electronics Co.,ltd
X:XX ±0.20	CHKD:	
X:XXX ±0.05	DR: SEA	TITLE: RJ45 Connector with 1000 Base-T Integrated Magnetics
ANGLES ±1°	UNIT: mm	PART NO. : TRJG17320AGNL
	SCALE: 2/1	SHEET: 3/4
	REV: A	DWG NO. : TRC10042205

Packaging:

REV.	ECN NO.	DESCRIPTION	DATE	APPD
A	REL		2010-04-22	



- ◆ Packaging unit :50pcs/tray
- ◆ Packaging material:PVC
- ◆ Outer carton unit:1000pcs/20tray/box
- ◆ Net Weight:7kg
- ◆ Gross Weight:9kg

X:X	±0.25	APPD:	Trxcom Huizhou Trxcom Electronics Co.,Ltd.	
X:XX	±0.20	CHKD:		
X:XXX	±0.05	DR: SEA	TITLE: 1*1 25.4 RJ45 PACKING	
ANGLES	±1°	UNIT: mm	PART NO.: TRJG17320AGNL	
	SCALE: 2/1	SHEET: 4/4	REV: A	DWG NO.: TRC10042205