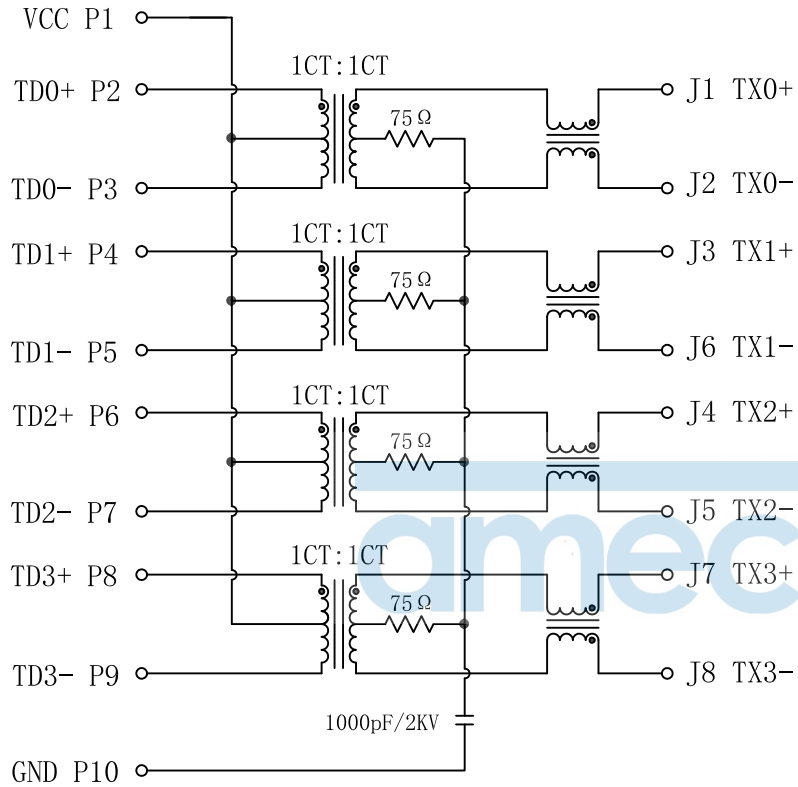


Schematic:

REV.	ECN NO.	DESCRIPTION	DATE	APPD
A	REL		2007/12/20	

PCB SIDE



CABLE SIDE

Electrical Specifications @ 25°C
unless otherwise noted:

- Turns Ratio:
Pri : Sec = 1CT : 1CT
- INDUCTANCE:
350uH Min, 100KHz, 100mV, 8mADC,
J1-J2;J3-J6;J4-J5;J7-J8, LP.
- Insertion Loss:
1-100MHz:-1.0dB Max
- Return Loss(dB Min):
1-40MHz:-18 40-60MHz:-14
60-80MHz:-12 80-100MHz:-10
- Crosstalk:
1-100MHz:-30dB Min
- Common Mode Rejection:
1-100MHz:-35dB Min
- Isolation Voltage: 1500Vrms/60Hz
- Operating temperature: 0°C~70°C.

Langer Acker 32 (+49) 5130 / 58642-0
30900 Wedemark info@amec-gmbh.de
Germany www.amec-gmbh.de

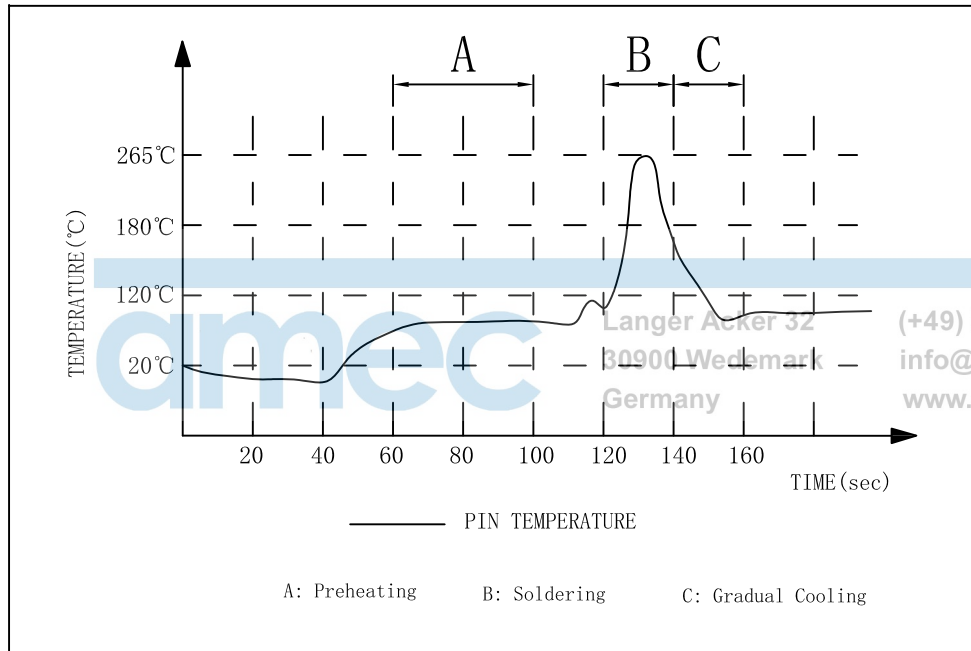


X:X	±0.25	APPD:	Trxcom Huizhou Trxcom Electronics Co.,Ltd.
X:XX	±0.20	CHKD:	
X:XXX	±0.05	DR: SEA	TITLE: RJ45 Connector with 1000 Base-T Integrated Magnetics
ANGLES	±1°	UNIT: mm	PART NO. : TRJG0820CNL
	SCALE: 2/1	SHEET: 2/4	REV: A DWG NO. : TRC07122001

REV.	ECN NO.	DESCRIPTION	DATE	APPD.
A	REL		2007/12/20	

SUGGESTED PROFILE OF WAVE SOLDER FOR ROHS PRODUCT

REV: A
 TEMP(°C): 25
 HUM(%): 65 RH



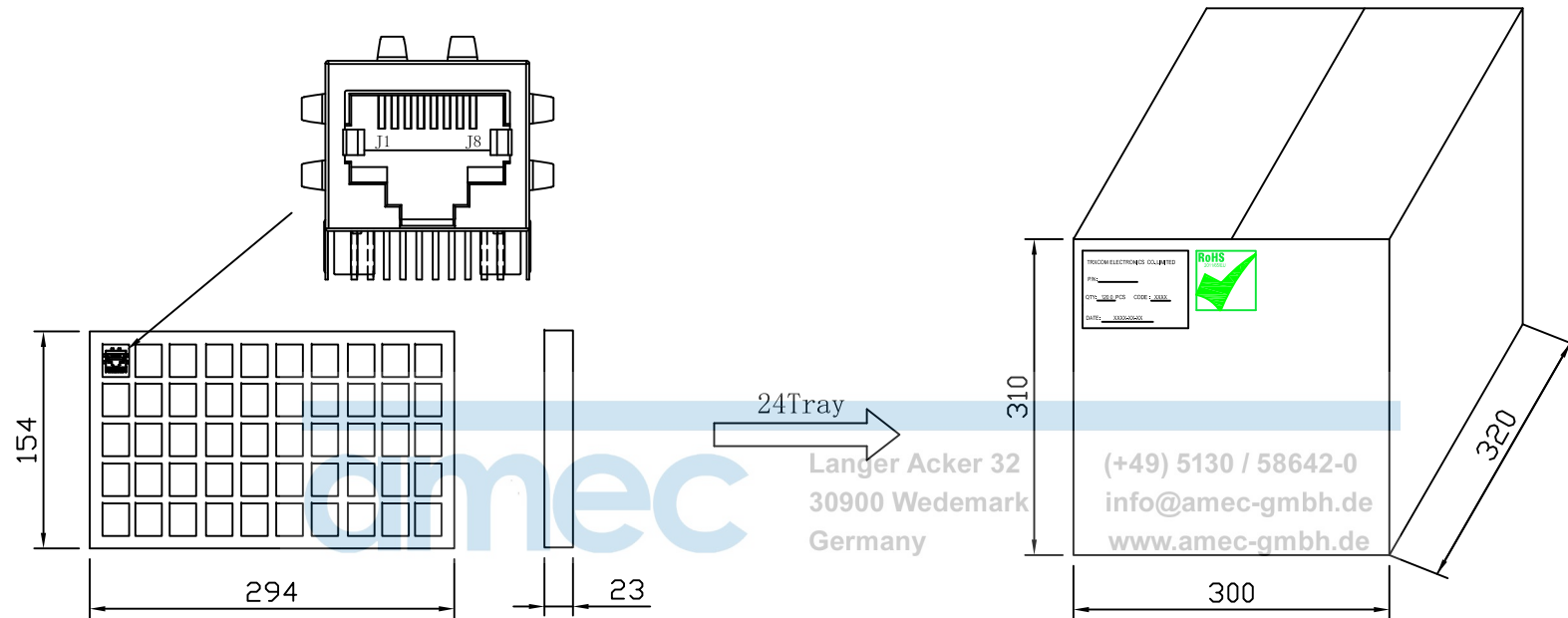
Langer Acker 32
 30901 Wedemark
 Germany
 (+49) 5130 / 58642-0
 info@amec-gmbh.de
 www.amec-gmbh.de

- (1) Tip Temperature: 265°C max
 - (2) Tip Temperature time: 5sec max
- Note: The melting point of Tin: 219°C

X:X ±0.25	APPD:	Trxcom Huizhou Trxcom Electronics Co.,Ltd.
X:XX ±0.20	CHKD:	
X:XXX ±0.05	DR: SEA	TITLE: RJ45 Connector with 1000 Base-T Integrated Magnetics
ANGLES ±1°	UNIT: mm	PART NO.: TRJG0820CNL
	SCALE: 2/1	SHEET: 3/4
	REV: A	DWG NO.: TRC07122001

Packaging:

REV.	ECN NO.	DESCRIPTION	DATE	APPD
A	REL		2007/12/20	



- ◆ Packaging unit :50pcs/tray
- ◆ Packaging material:PVC
- ◆ Outer carton unit:1200pcs/24tray/box
- ◆ Net Weight:8kg
- ◆ Gross Weight:10kg

X:X	±0.25	APPD:	Trxcom Huizhou Trxcom Electronics Co.,Ltd.	
X:XX	±0.20	CHKD:		
X:XXX	±0.05	DR: SEA	TITLE: 1*1 21.3 RJ45 PACKING	
ANGLES	±1°	UNIT: mm	PART NO.: TRJG0820CNL	
		SCALE: 2/1	SHEET: 4/4	REV: A
				DWG NO.: TRC07122001