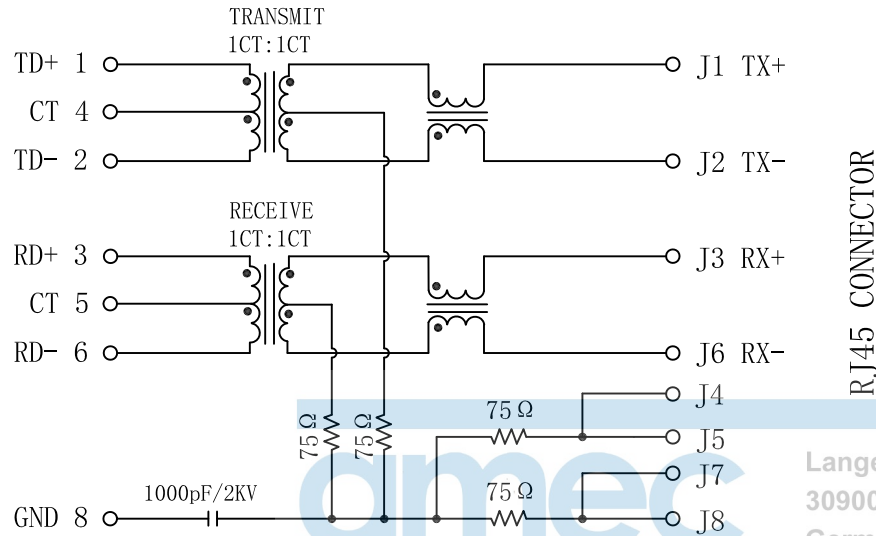




# Schematic:

REV.	ECN NO.	DESCRIPTION	DATE	APPD
A	REL		2010-06-23	

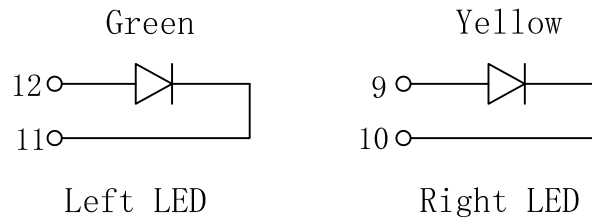
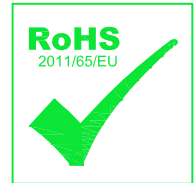
PC BOARD CONNECTIONS



Langer Acker 32  
30900 Wedemark  
Germany

## ELECTRICAL SPECIFICATIONS @25°C

- Turn Ratio ( $\pm 3\%$ ):  
TX=1CT:1CT      RX=1CT:1CT
- Inductance OCL:  
350uH MIN @ 100KHz 0.1V 8mA DC Bias
- DCR: 1.2  $\Omega$  MAX
- Insertion Loss:  
-1.0dB MAX @ 1-100MHz
- Return Loss:  
-18dB MIN @ 1-30MHz  
-15dB MIN @ 30-60MHz  
-12dB MIN @ 60-100MHz
- Cross talk:  
-40dB MIN @ 30MHz  
-35dB MIN @ 60MHz  
-30dB MIN @ 100MHz
- Common Mode Rejection:  
-30dB MIN @ 1-100MHz
- Hipot Test: 1500Vrms
- Operating Temperature Range: 0°C TO 70°C



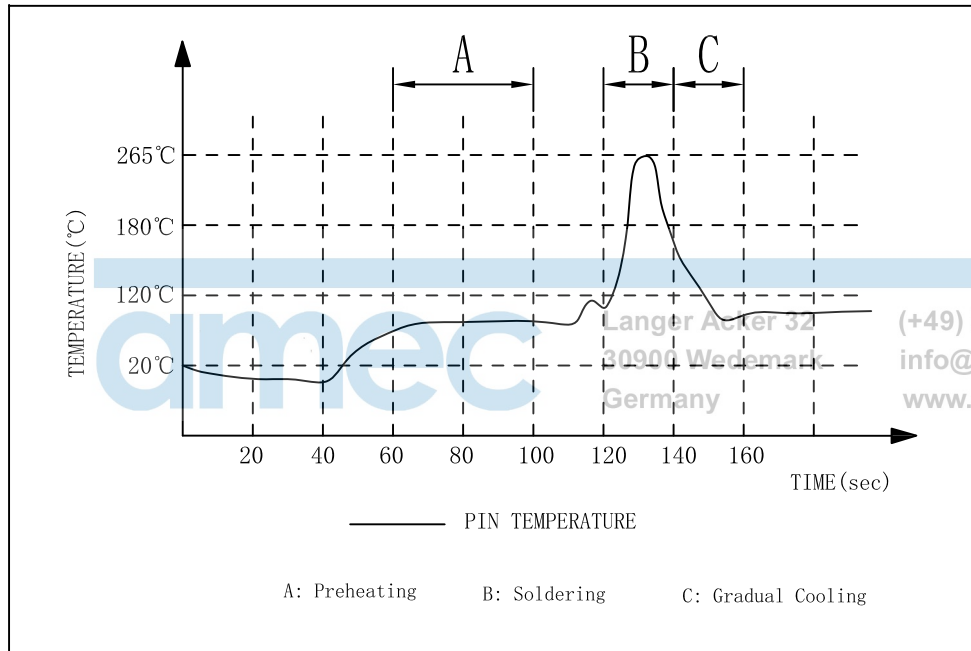
Emitting Color	$\lambda$ p(nm)	VF@IF=20mA	IR @VR=5V
Green	565	1.8~2.4V	10 $\mu$ A max
Yellow	585	1.8~2.4V	10 $\mu$ A max

X:X	$\pm 0.25$	APPD:	<b>Trxcom</b>
X:XX	$\pm 0.20$	CHKD:	
X:XXX	$\pm 0.05$	DR: SEA	TITLE: Vertical RJ45 Connector With 10/100 Magnetic
ANGLES	$\pm 1^\circ$	UNIT: mm	PART NO.: TRJD0011BBNL
	SCALE: 3/1	SHEET: 1/4	REV: A
			DWG NO.: TRC10062301

REV.	ECN NO.	DESCRIPTION	DATE	APPD
A	REL		2010-06-23	

SUGGESTED PROFILE OF WAVE SOLDER FOR ROHS PRODUCT

REV: A  
 TEMP(°C): 25  
 HUM(%): 65 RH

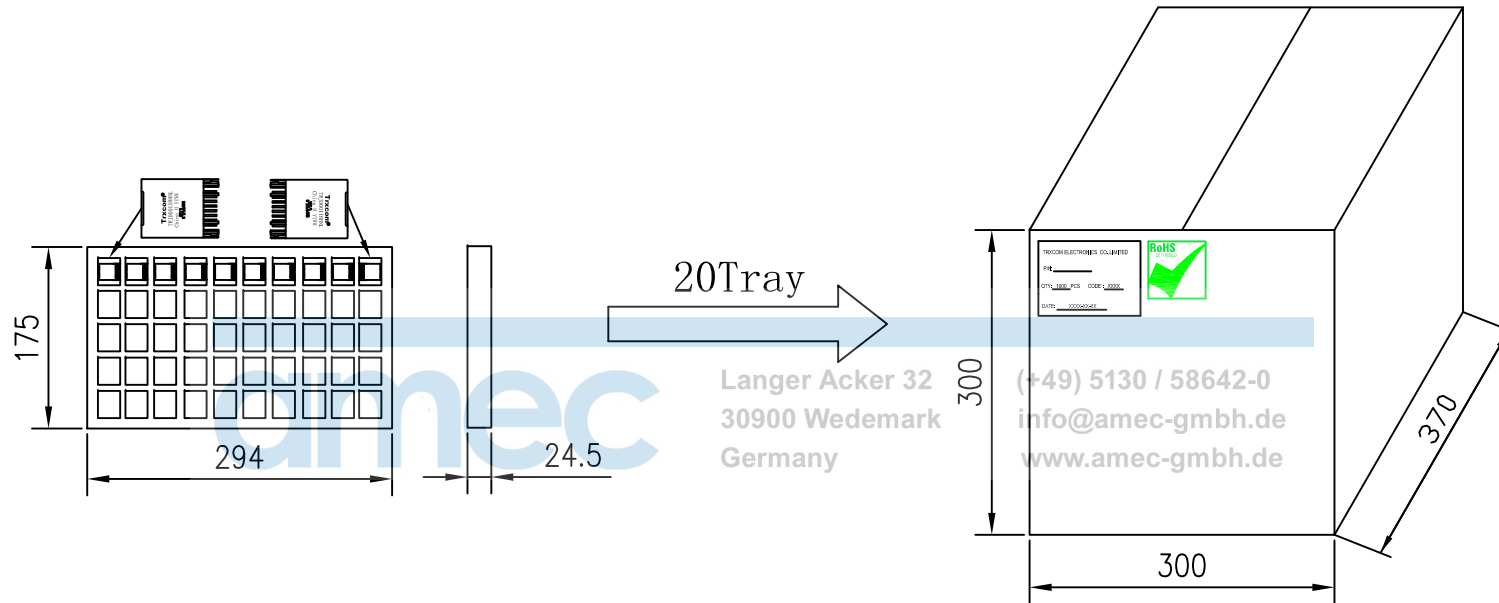


- (1) Tip Temperature: 265°C max
  - (2) Tip Temperature time: 5sec max
- Note: The melting point of Tin: 219°C

X:X	±0.25	APPD:	<b>Trxcom</b> Huizhou Trxcom Electronics Co.,Ltd.
X:XX	±0.20	CHKD:	
X:XXX	±0.05	DR: SEA	
ANGLES	±1°	UNIT: mm	
			TITLE: Vertical RJ45 Connector With 10/100 Magnetic
			PART NO.: TRJD0011BBNL
		SCALE: 3/1	SHEET: 1/4
		REV: A	DWG NO.: TRC10062301

Packaging:

REV.	ECN NO.	DESCRIPTION	DATE	APPD
A	REL		2010-06-23	



- ◆ Packaging unit :50pcs/tray
- ◆ Packaging material:PVC
- ◆ Outer carton unit:1000pcs/20tray/box
- ◆ Net Weight:7kg
- ◆ Gross Weight:9kg

X:X	±0.25	APPD:	<b>Trxcom</b>
X:XX	±0.20	CHKD:	
X:XXX	±0.05	DR: SEA	TITLE: 1*1 16.7 Vertical RJ45 PACKING
ANGLES	±1°	UNIT: mm	PART NO.: TRJD0011BBNL
		SCALE: 2/1	SHEET: 4/4
		REV: A	DWG NO.: TRC10062301