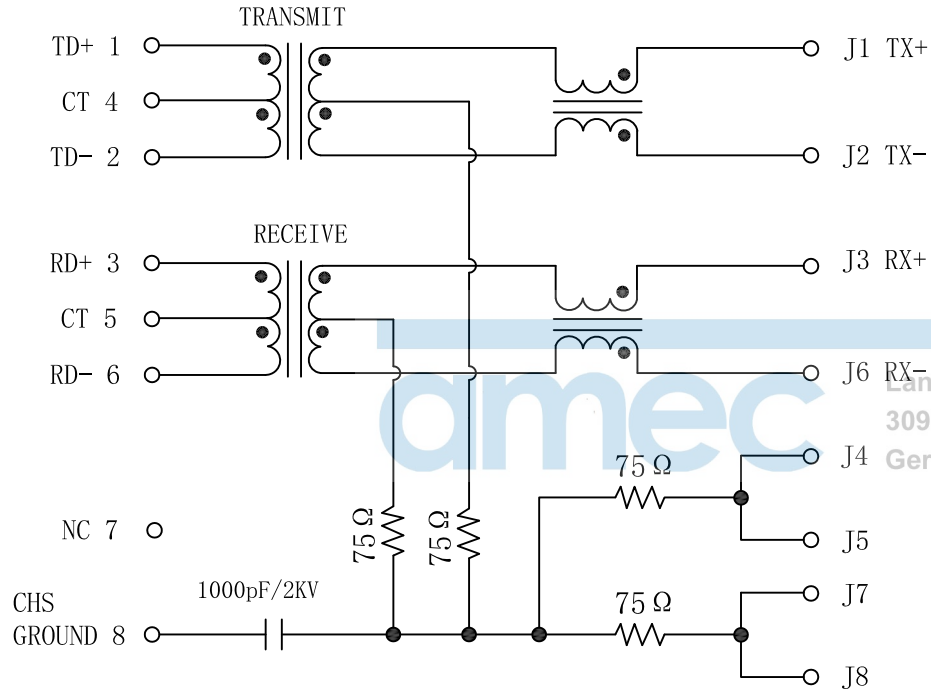


Schematic:

REV.	ECN NO.	DESCRIPTION	DATE	APPD
A	REL		2015-03-25	

PC BOARD CONNECTIONS



RJ45 CONNECTOR

ELECTRICAL SPECIFICATIONS @25°C

- Turn Ratio ($\pm 3\%$):
TX=1CT:1CT RX=1CT:1CT
- Inductance OCL:
350uH MIN @ 100KHz 0.1V 8mA DC Bias
- DCR:
1.2Ω MAX
- Insertion Loss:
-1.0dB MAX @ 1-100MHz
- Return Loss:
-18dB MIN @ 1-30MHz
-15dB MIN @ 30-60MHz
-12dB MIN @ 60-100MHz
- Cross talk:
-40dB MIN @ 1-30MHz
-35dB MIN @ 30-60MHz
-30dB MIN @ 60-100MHz
- Common Mode Rejection:
-30dB MIN @ 1-50MHz
-20dB MIN @ 50-150MHz
- Hipot Test:1500Vrms
- Operating Temperature Range: 0°C TO 70°C

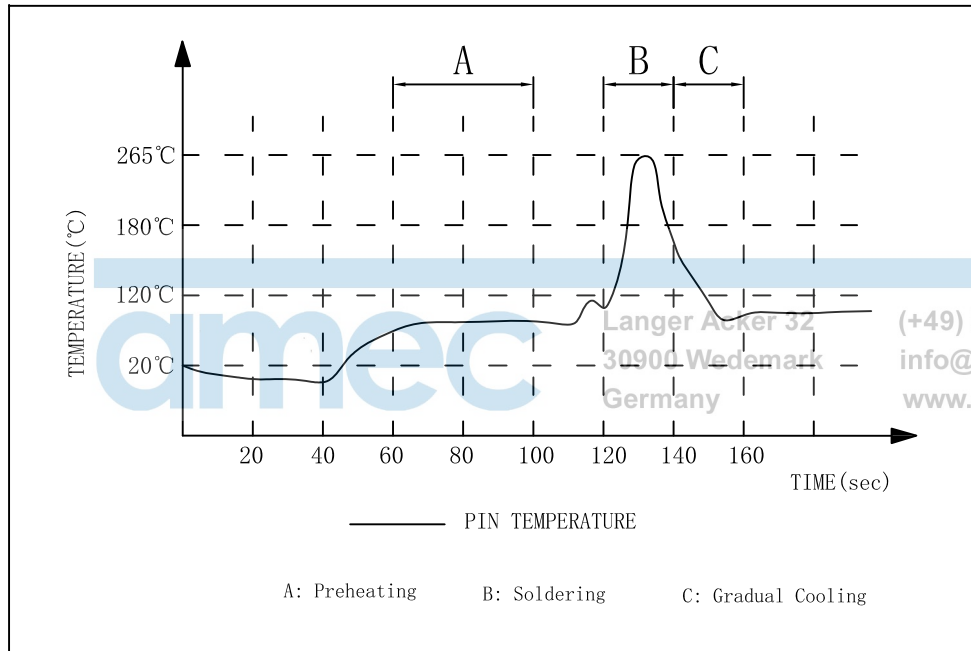


X:X	±0.25	APPD:	Trxcom Huizhou Trxcom Electronics Co.,Ltd.	
X:XX	±0.20	CHKD:		
X:XXX	±0.05	DR: GRANT	TITLE: RJ45 Connector with 10/100 Base-T Integrated Magnetics	
ANGLES	±1°	UNIT: mm	PART NO. : TRJ16211CNL	
	SCALE: 2/1	SHEET: 2/4	REV: A	DWG NO. : TRC15032511

REV.	ECN NO.	DESCRIPTION	DATE	APPD
A	REL		2015-03-25	

REV: A
 TEMP (°C): 25
 HUM (%): 65 RH

SUGGESTED PROFILE OF WAVE SOLDER FOR ROHS PRODUCT



(1) Tip Temperature: 265°C max

(2) Tip Temperature time: 5sec max

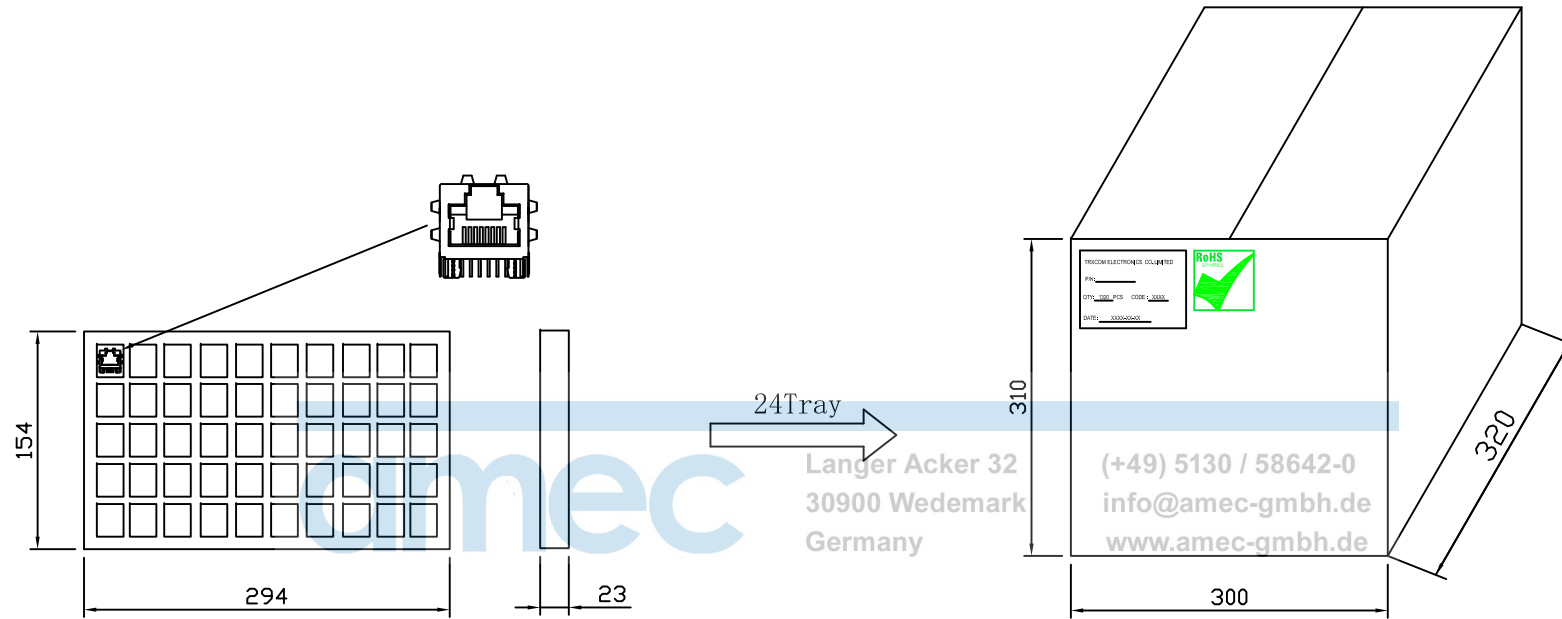
Note: The melting point of Tin: 219°C



X:X ±0.25	APPD:	Trxcom
X:XX ±0.20	CHKD:	
X:XXX ±0.05	DR: GRANT	Huizhou Trxcom Electronics Co., Ltd.
ANGLES ±1°	UNIT: mm	TITLE: RJ45 Connector with 10/100 Base-T Integrated Magnetics
	SCALE: 2/1	PART NO.: TRJ16211CNL
	SHEET: 3/4	REV: A
		DWG NO.: TRC15032511

Packaging:

REV.	ECN NO.	DESCRIPTION	DATE	APPD
A	REL		2015-03-25	



- ◆ Packaging unit :50pcs/tray
- ◆ Packaging material:PVC
- ◆ Outer carton unit:1200pcs/24tray/box
- ◆ Net Weight:8kg
- ◆ Gross Weight:10kg

X:X	±0.25	APPD:	Trxcom Huizhou Trxcom Electronics Co.,Ltd.
X:XX	±0.20	CHKD:	
X:XXX	±0.05	DR: GRANT	TITLE: 1*1 21.3 RJ45 PACKING
ANGLES	±1°	UNIT: mm	PART NO. : TRJ16211CNL
	SCALE: 2/1	SHEET: 1/1	REV: A
			DWG NO. : TRC15032511