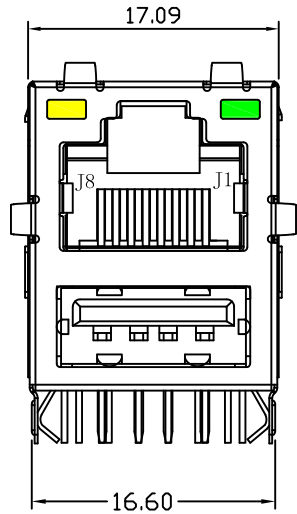
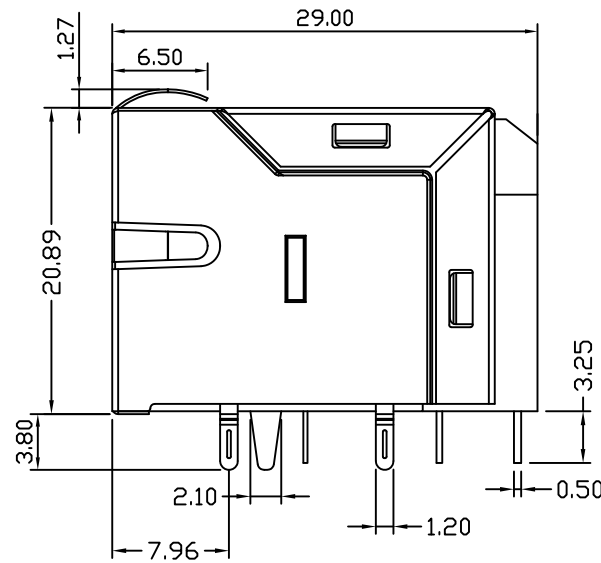


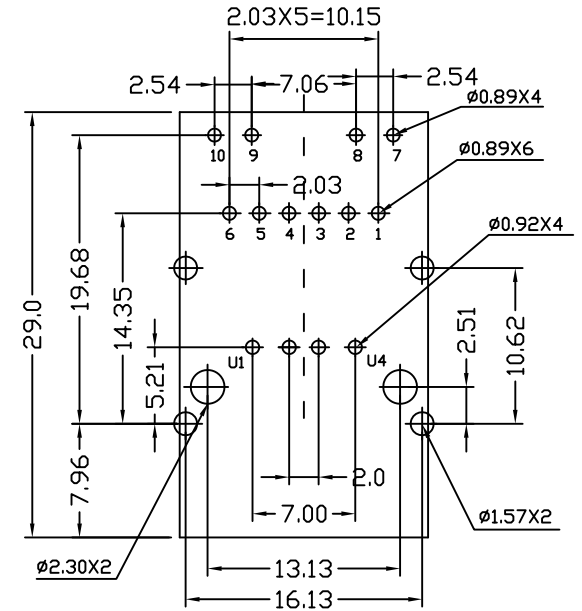
| REV. | ECN NO. | DESCRIPTION | DATE       | APPD |
|------|---------|-------------|------------|------|
| A    | REL     |             | 2015-06-15 |      |



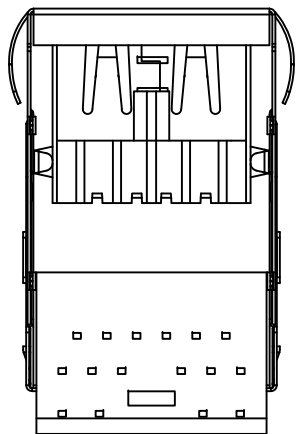
Front Side View



Left Side View



Suggested PCB Layout (Top View)



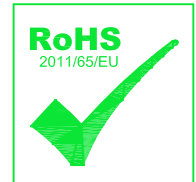
Bottom Side View



Top Side View

NOTES:

- Meets IEEE 802.3 specification
- Connector Materials:  
Housing: Thermoplastic UL94V-0  
Contact/Shield: Copper alloy  
Shield plating: Nickel  
Contact plating: Gold 6 micro-inches min. In contact area.
- Wave solder tip temperature: 265°C Max, 5 Sec Max
- UL Certification: File Number E321120



|        |            |        |   |   |
|--------|------------|--------|---|---|
| X:X    | ±0.25      | APPD:  | <b>Trxcom</b><br>Huizhou Trxcom Electronics Co., Ltd. |   |
| X:XX   | ±0.20      | CHKD:  |   |   |
| X:XXX  | ±0.05      | DR:    | GRANT   | TITLE: RJ45 Connector with 10/100 Base-TX Jack/Single USB Combo |
| ANGLES | ±1°        | UNIT:  | mm  | PART NO.: TRJU3101AGNL  |
|        | SCALE: 2/1 | SHEET: | 1/4   | REV: A<br>DWG NO.: TRC14100608                                  |

Schematic:

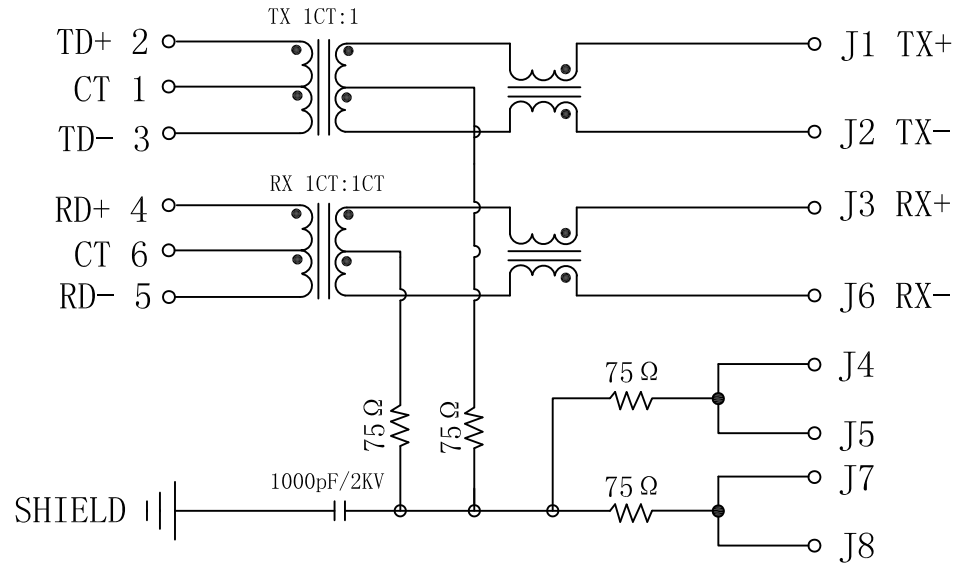


Langer Acker 32  
30900 Wedemark  
Germany

(+49) 5130 / 58642-0  
info@amec-gmbh.de  
www.amec-gmbh.de

| REV. | ECN NO. | DESCRIPTION | DATE       | APPD |
|------|---------|-------------|------------|------|
| A    | REL     |             | 2015-06-15 |      |

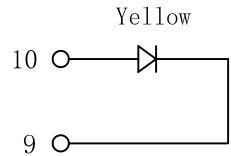
PC BOARD CONNECTIONS



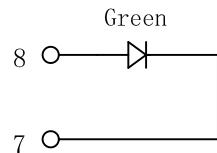
RJ45 CONNECTOR

ELECTRICAL SPECIFICATIONS @25°C

- Turn Ratio ( $\pm 3\%$ ):  
TX=1CT:1CT      RX=1CT:1CT
- Inductance OCL:  
350uH MIN @ 100KHz 0.1V 8mA DC Bias
- DCR: 1.2  $\Omega$  MAX
- Insertion Loss:  
-1.0dB MAX @ 1-100MHz
- Return Loss:  
-18dB MIN @ 1-30MHz  
-15dB MIN @ 30-60MHz  
-12dB MIN @ 60-100MHz
- Cross talk:  
-40dB MIN @ 1-30MHz  
-35dB MIN @ 30-60MHz  
-30dB MIN @ 60-100MHz
- Common Mode Rejection:  
-30dB MIN @ 1-50MHz  
-20dB MIN @ 50-150MHz
- Hipot Test: 1500Vrms
- Operating Temperature Range: 0°C TO 70°C



Left LED



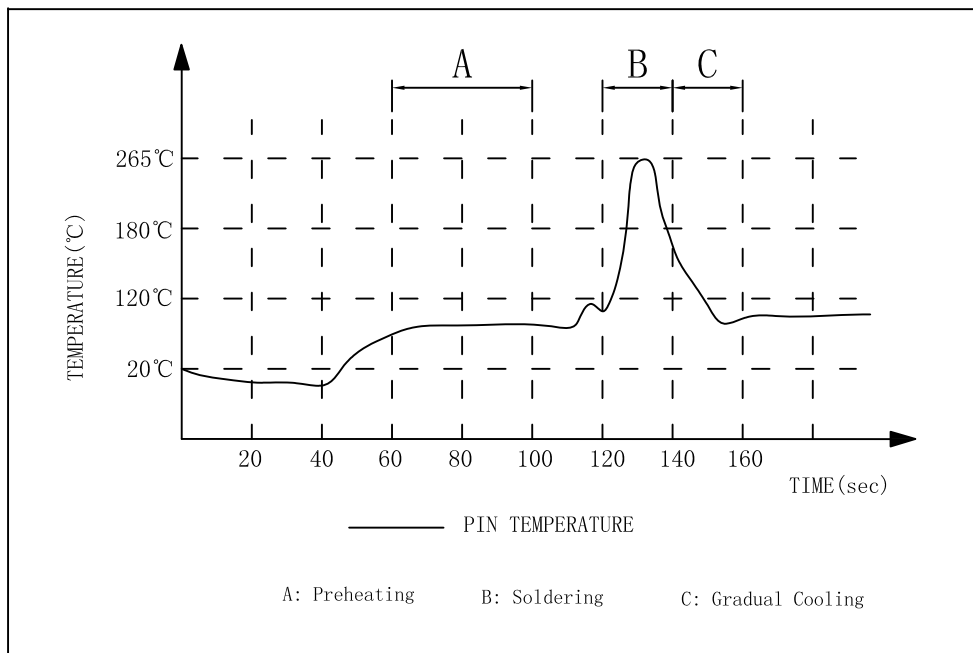
Right LED

| Emitting Color | $\lambda$ p(nm) | VF@IF=20mA | IR @VR=5V      |
|----------------|-----------------|------------|----------------|
| Green          | 570             | 1.8~2.4V   | 10 $\mu$ A max |
| Yellow         | 590             | 1.8~2.4V   | 10 $\mu$ A max |
| Orange         | 590             | 1.8~2.4V   | 10 $\mu$ A max |



|        |               |            |   |                      |
|--------|---------------|------------|---|----------------------|
| X:X    | $\pm 0.25$    | APPD:      | <b>Trxcom</b><br>Huizhou Trxcom Electronics Co.,Ltd.            |                      |
| X:XX   | $\pm 0.20$    | CHKD:      |   |                      |
| X:XXX  | $\pm 0.05$    | DR: GRANT  | TITLE: RJ45 Connector with 10/100 Base-TX Jack/Single USB Combo |                      |
| ANGLES | $\pm 1^\circ$ | UNIT: mm   | PART NO.: TRJU3101AGNL  |                      |
|        | SCALE: 2/1    | SHEET: 2/4 | REV: A  | DWG NO.: TRC14100608 |

| REV. | ECN NO. | DESCRIPTION | DATE       | APPD |
|------|---------|-------------|------------|------|
| A    | REL     |             | 2015-06-15 |      |

SUGGESTED PROFILE OF WAVE SOLDER FOR ROHS PRODUCT



- (1) Tip Temperature: 265°C max
  - (2) Tip Temperature time: 5sec max
- Note: The melting point of Tin: 219°C

|   |   |            |  |                                   |
|---|---|------------|--|-----------------------------------|
| X:X   | ±0.25   | APPD:      | Trxcom   |                                   |
| X:XX  | ±0.20   | CHKD:      | HuiZhou Trxcom Electronics Co.,ltd                                 |                                   |
| X:XXX   | ±0.05   | DR: GRANT  | TITLE: RJ45 Connector with 10/100 Base-TX<br>Jack/Single USB Combo |                                   |
| ANGLES  | ±1°   | UNIT: mm   | PART NO. : TRJU3101AGNL  |                                   |
|  |  | SCALE: 2/1 | SHEET: 3/4   | REV: A      DWG NO. : TRC14100608 |

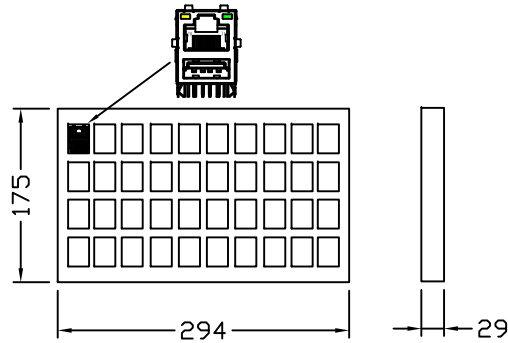
Packaging:



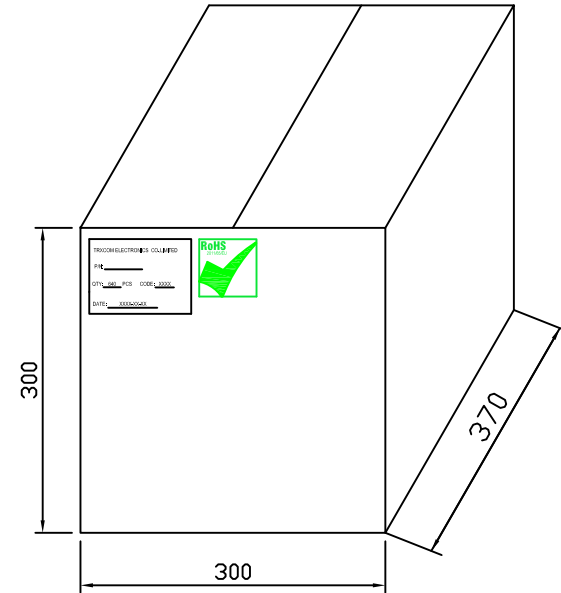
Langer Acker 32  
30900 Wedemark  
Germany

(+49) 5130 / 58642-0  
info@amec-gmbh.de  
www.amec-gmbh.de

| REV. | ECN NO. | DESCRIPTION | DATE       | APPD |
|------|---------|-------------|------------|------|
| A    | REL     |             | 2015-06-15 |      |



16Tray →



- ◆ Packaging unit :40pcs/tray
- ◆ Packaging material:PVC
- ◆ Outer carton unit:640pcs/16tray/box
- ◆ Net Weight:7kg
- ◆ Gross Weight:9kg

|        |       |            |  |        |                       |
|--------|-------|------------|--|--------|-----------------------|
| X:X    | ±0.25 | APPD:      | <b>Trxcom</b><br>Huizhou Trxcom Electronics Co.,Ltd. |        |                       |
| X:XX   | ±0.20 | CHKD:      |  |        |                       |
| X:XXX  | ±0.05 | DR: GRANT  | TITLE: RJ45 /Single USB PACKING                      |        |                       |
| ANGLES | ±1°   | UNIT: mm   | PART NO. : TRJU3101AGNL                              |        |                       |
|        |       | SCALE: 2/1 | SHEET: 4/4   | REV: A | DWG NO. : TRC14100608 |