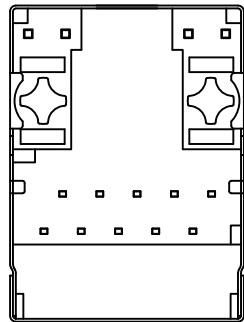
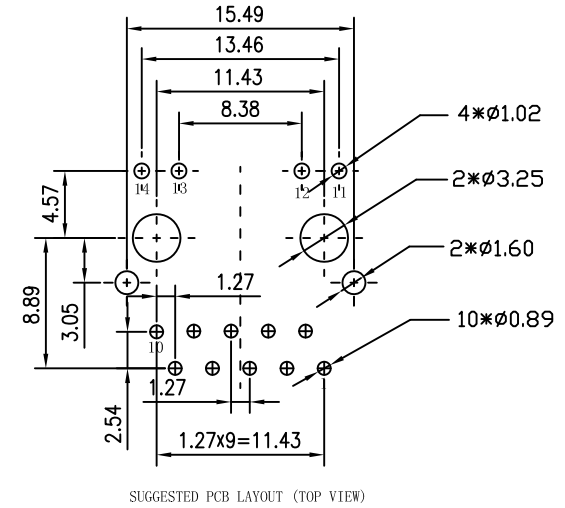
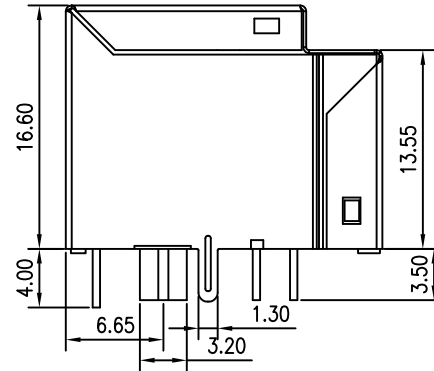
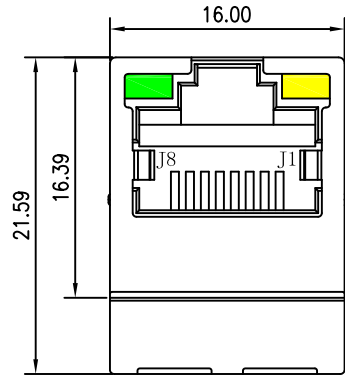


REV.	ECN NO.	DESCRIPTION	DATE	APPD
A	REL		2015-05-14	



NOTES:

1. Meets IEEE 802.3 specification
2. Connector Materials:
Housing Material: Thermoplastic PBT+30%G.F UL94V-0
Contact Material: Phosphor Bronze C5210R-EH Thickness=0.35mm
Pins: Brass C2680R-H Thickness=0.35mm
Shield: Copper alloy Brass H65Y Thickness=0.2mm
Contact plating: Gold 6 micro-inches min. In contact area.
3. Wave solder tip temperature: 265°C Max, 5 Sec Max
4. UL Certification: File Number E321120

X:X	±0.25	APPD:	Trxcom Huizhou Trxcom Electronics Co., Ltd.	
X:XX	±0.20	CHKD:		
X:XXX	±0.05	DR: SEA	TITLE: Vertical RJ45 Connector with 1000 Base-TX Integrated Magnetics	
ANGLES	±1°	UNIT: mm	PART NO.: TRJD0743BENL	
	SCALE: 2/1	SHEET: 1/4	REV: A	DWG NO.: TRC15051415

Schematic:



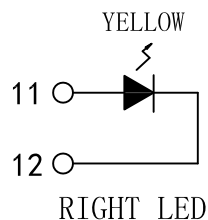
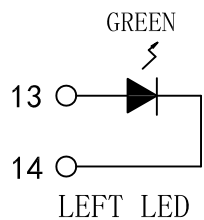
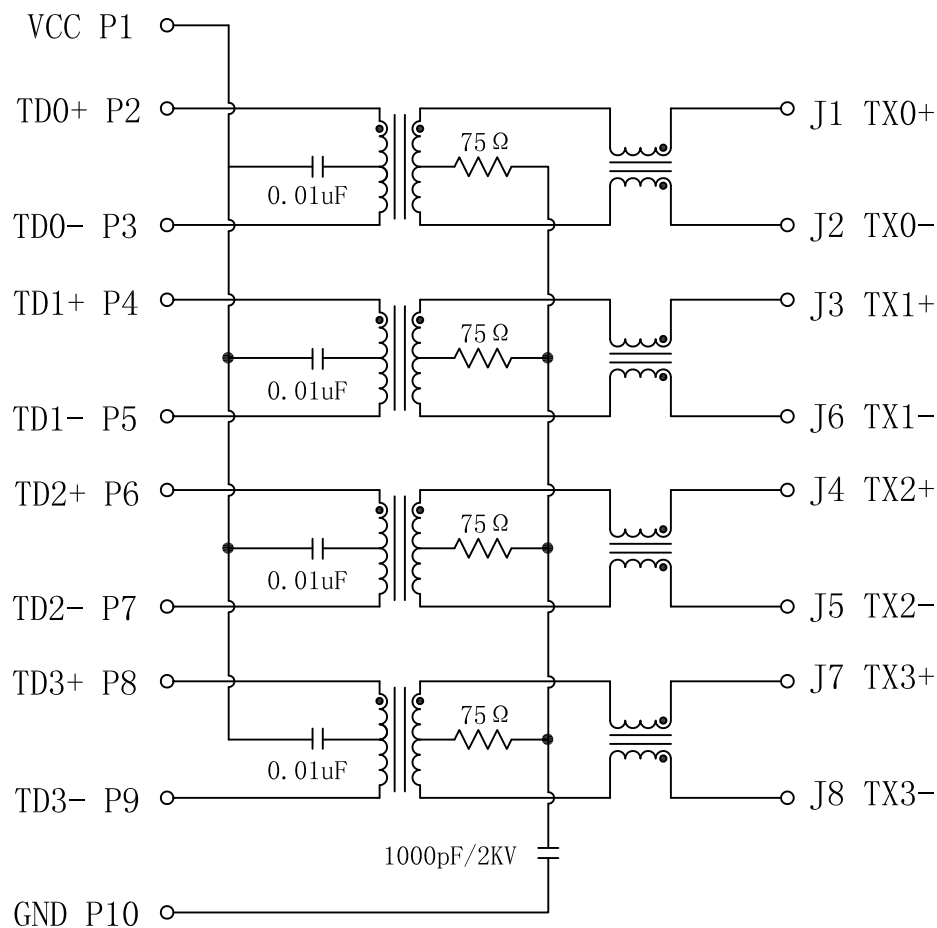
Langer Acker 32
30900 Wedemark
Germany

(+49) 5130 / 58642-0
info@amec-gmbh.de
www.amec-gmbh.de

REV.	ECN NO.	DESCRIPTION	DATE	APPD
A	REL		2014/10/16	

PCB

CABLE



ELECTRICAL SPECIFICATIONS @25°C

- Turn Ratio(±2%):
1CT : 1CT
- Inductance OCL: 350uH Min
@100KHz, 0.1V, 8mA DC Bias
- Insertion Loss:
-0.5dB Max @ 1-65MHz
-0.8dB Max @ 65-100MHz
-1.2dB Max @ 100-125MHz
- Return Loss:
-16dB Min. (Load 100 OHM) @ 1-30MHz
-13.5dB Min. (Load 100 OHM) @ 30-40MHz
-11.5dB Min. (Load 100 OHM) @ 40-50MHz
-10dB Min. (Load 100 OHM) @ 60-80MHz
- Cross talk:
-30dB MIN @ 1-100MHz
- Common Mode Rejection:
-30dB MIN @ 1-100MHz
- Hipot Test: 1500Vrms MIN
- Operating Temperature : 0°C TO 70°C

Emitting Color	λ p(nm)	VF@IF=20mA	IR @VR=5V
Green	570	1.8~2.6V	10 μ A max
Yellow	585	1.8~2.6V	10 μ A max

X:X ±0.25	APPD:	Trxcom	
X:XX ±0.20	CHKD:	Huizhou Trxcom Electronics Co.,Ltd.	
X:XXX ±0.05	DR: SEA	TITLE: Vertical RJ45 Connector with 1000 Base-TX Integrated Magnetics	
ANGLES ±1°	UNIT: mm	PART NO. : TRJD0743BENL	
	SCALE: 2/1	SHEET: 2/4	REV: A DWG NO. : TRC15051415



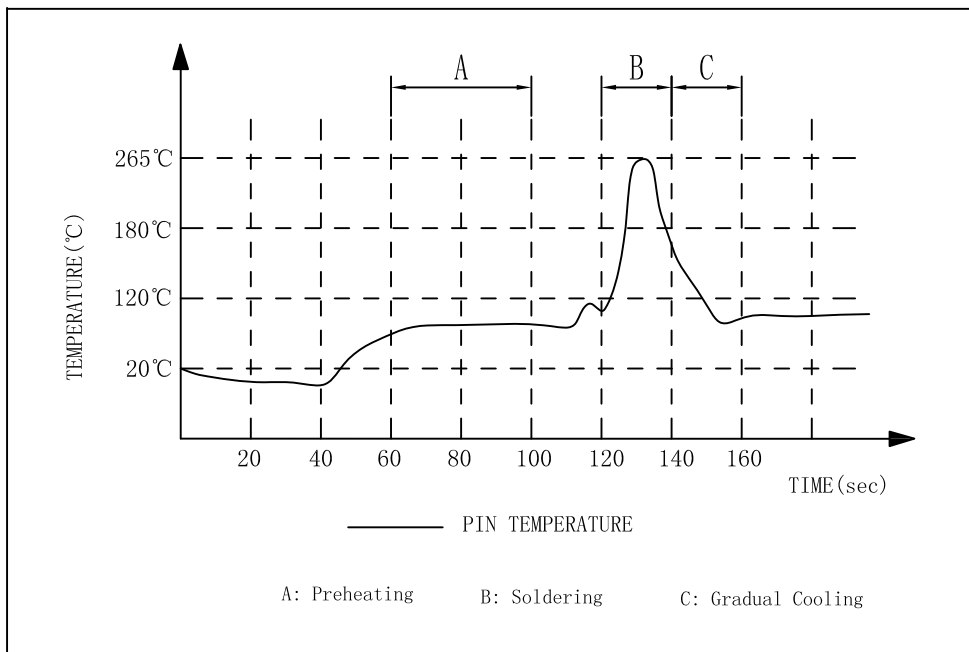
Langer Acker 32
30900 Wedemark
Germany

(+49) 5130 / 58642-0
info@amec-gmbh.de
www.amec-gmbh.de

REV.	ECN NO.	DESCRIPTION	DATE	APPD
A	REL		2015-05-14	

SUGGESTED PROFILE OF WAVE SOLDER FOR ROHS PRODUCT

REV: A
TEMP(°C): 25
HUM(%): 65 RH



- (1) Tip Temperature: 265°C max
 - (2) Tip Temperature time: 5sec max
- Note: The melting point of Tin: 219°C

X:X ±0.25	APPD:	Trxcom
X:XX ±0.20	CHKD:	
X:XXX ±0.05	DR: SEA	TITLE: Vertical RJ45 Connector with 1000 Base-TX Integrated Magnetics
ANGLES ±1°	UNIT: mm	PART NO.: TRJD0743BENL
	SCALE: 2/1	SHEET: 3/4
	REV: A	DWG NO.: TRC15051415

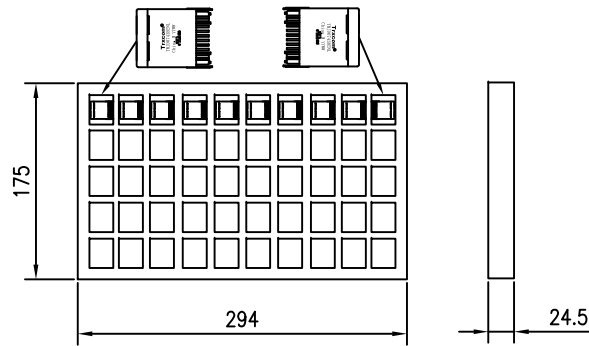
Packaging:



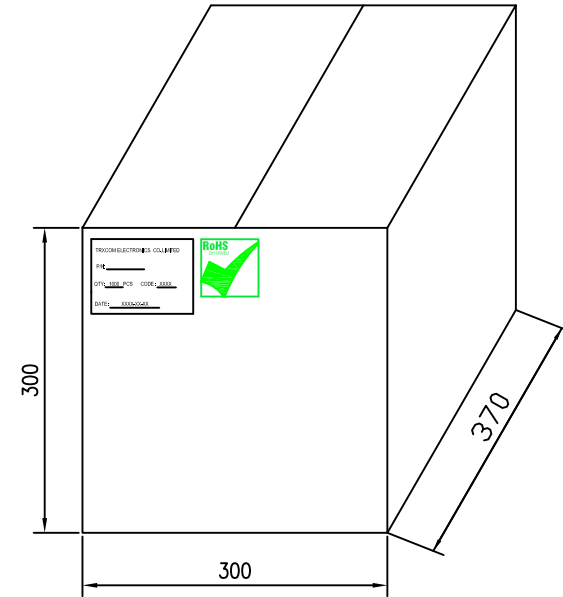
Langer Acker 32
30900 Wedemark
Germany

(+49) 5130 / 58642-0
info@amec-gmbh.de
www.amec-gmbh.de

REV.	ECN NO.	DESCRIPTION	DATE	APPD
A	REL		2015-05-14	



20Tray →



- ◆ Packaging unit :50pcs/tray
- ◆ Packaging material:PVC
- ◆ Outer carton unit:1000pcs/20tray/box
- ◆ Net Weight:7kg
- ◆ Gross Weight:9kg

X:X	±0.25	APPD:	Trxcom	
X:XX	±0.20	CHKD:	Huizhou Trxcom Electronics Co.,Ltd.	
X:XXX	±0.05	DR: SEA	TITLE: 1*1 21.59 Vertical RJ45 PACKING	
ANGLES	±1°	UNIT: mm	PART NO. : TRJD0743BENL	
		SCALE: 2/1	SHEET: 4/4	REV: A
				DWG NO. : TRC15051415