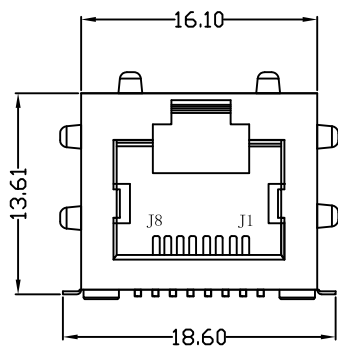
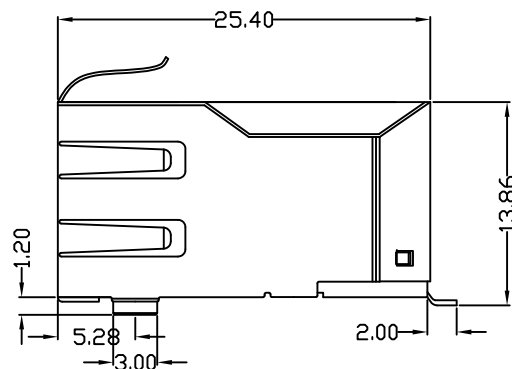


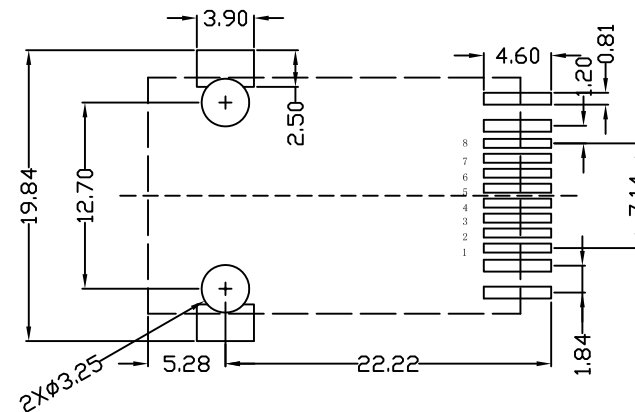
REV.	ECN NO.	DESCRIPTION	DATE	APPD
A	REL		2015-05-11	



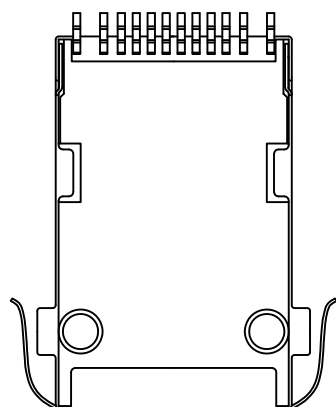
Front Side View



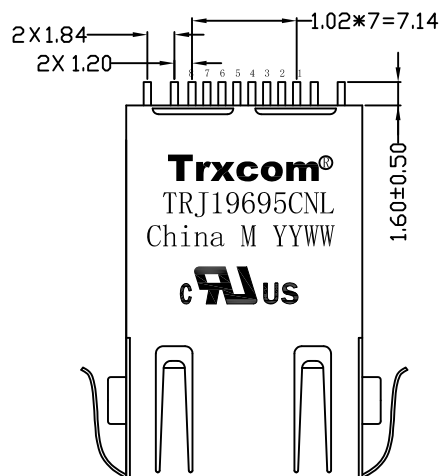
Left Side View



Suggested PCB Layout



Bottom Side View



Top Side View

NOTES:

1. Meets IEEE 802.3 specification
2. Connector Materials:  
Housing Material: Thermoplastic LCP+30%G.F UL94V-0  
Contact Material: Phosphor Bronze C5210R-EH Thickness=0.35mm  
Pins: Brass C2680R-H Thickness=0.35mm  
Shield: SUS 201-1/2H Thickness=0.2mm  
Contact plating: Gold 6 micro-inches min. In contact area.
3. Wave solder tip temperature: 265°C Max, 5 Sec Max
4. UL Certification: File Number E321120

X:X ±0.25	APPD:	<b>Trxcom</b> Huizhou Trxcom Electronics Co., Ltd.
X:XX ±0.20	CHKD:	
X:XXX ±0.05	DR: GRANT	TITLE: Surface Mount 1×1 Tab-Up Jack With 10/100M Magnetic
ANGLES ±1°	UNIT: mm	PART NO.: TRJ19695CNL
	SCALE: 2/1	SHEET: 1/2
	REV: A	DWG NO.: TRC15051123

Schematic:

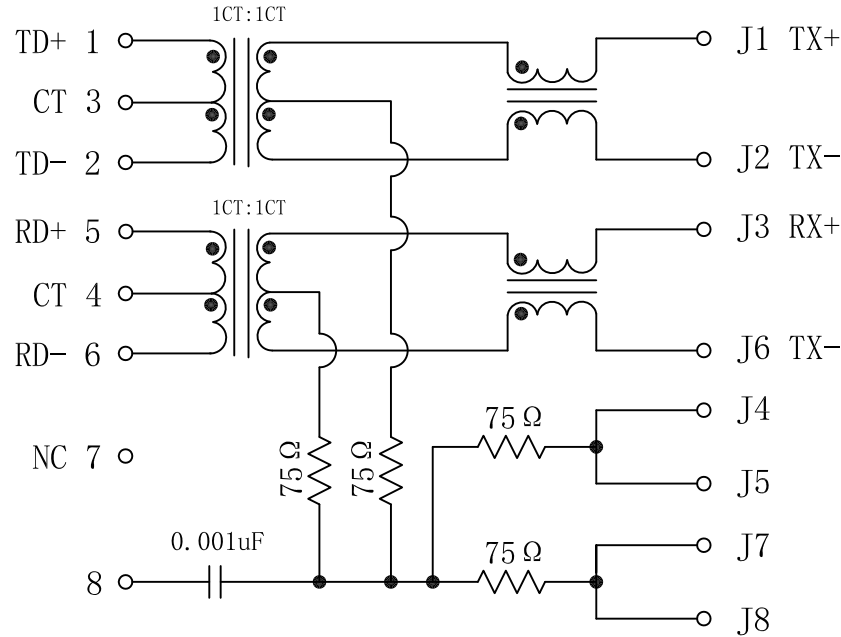


Langer Acker 32  
30900 Wedemark  
Germany

(+49) 5130 / 58642-0  
info@amec-gmbh.de  
www.amec-gmbh.de

REV.	ECN NO.	DESCRIPTION	DATE	APPD
A	REL		2015-05-11	

PCB SIDE TO PHY



CABLE

ELECTRICAL SPECIFICATIONS @25°C

- Turn Ratio( $\pm 3\%$ ):  
TX=1CT:1CT      RX=1CT:1CT
- Inductance OCL:  
350uH MIN @ 100KHz 0.1V 8mA DC Bias
- DCR: 1.2  $\Omega$  MAX
- Insertion Loss:  
-1.0dB MAX @ 1-100MHz
- Return Loss:  
-18dB MIN @ 1-30MHz  
-15dB MIN @ 30-60MHz  
-12dB MIN @ 60-100MHz
- Cross talk:  
-40dB MIN @ 1-30MHz  
-35dB MIN @ 30-60MHz  
-30dB MIN @ 60-100MHz
- Common Mode Rejection:  
-30dB MIN @ 1-50MHz  
-20dB MIN @ 50-100MHz
- Hipot Test: 1500Vrms
- Operating Temperature Range: 0°C TO 70°C.



X:X	$\pm 0.25$	APPD:	<b>Trxcom</b> Huizhou Trxcom Electronics Co.,Ltd.	
X:XX	$\pm 0.20$	CHKD:		
X:XXX	$\pm 0.05$	DR: GRANT	TITLE: Surface Mount 1x1 Tab-Up Jack With 10/100M Magnetic	
ANGLES	$\pm 1^\circ$	UNIT: mm	PART NO.: TRJ19695CNL	
	SCALE: 2/1	SHEET: 2/2	REV: A	DWG NO.: TRC15051123