



RoHS ISO9001:2008
REACH ISO14001:2004

State

- Carrier tape packing use for reflow soldering process
- Magnetically shielded construction
- Width:6.2mm~12.0mm, Height:3.0mm~11.0mm
- High rated, low DCR, Rotundity
- Widely used in the buck converter, liquid crystal display, laptop, palmtop, digital products, Network communication products and so on



English

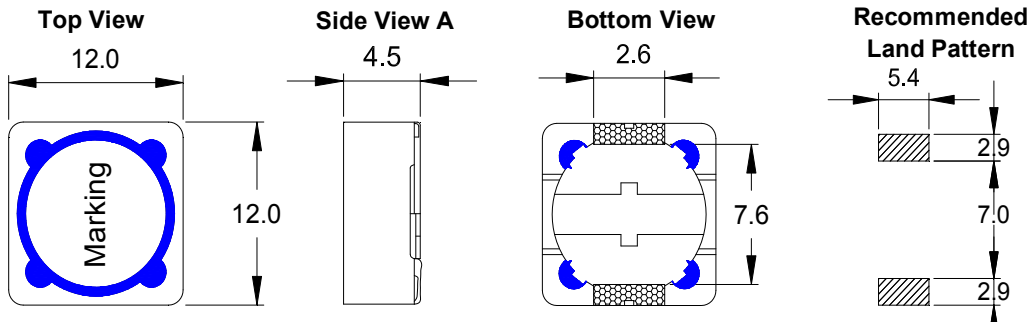
说明

- 使用载带包装运用于流焊SMT工艺
- 磁屏蔽结构
- 宽度：6.2mm~12.0mm，高度：3.0mm~11.0mm
- 耐大电流，低直流电阻
- 广泛应用于升降压转换器，液晶显示，笔记本电脑，掌上记事本数码产品，网络通信等

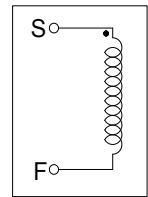


中文

Dimensions (Unit:mm)



Spice models



Electrical Characteristics

Part Number	Inductance ¹ (μ H)	Tolerance (%)	DCR($m\Omega$) ²		Isat(A) ³ Drop $\leq 20\%$
			Nom	Max	
SPRH124-3R3M	3.30	± 20	17.50	25.00	10.00
SPRH124-4R7M	4.70		21.00	30.00	9.50
SPRH124-6R8M	6.80		29.50	42.00	8.00
SPRH124-100M	10.0		35.00	50.00	6.50
SPRH124-220M	22.0		58.50	80.00	4.50
SPRH124-330M	33.0		105.2	140.0	3.80
SPRH124-470M	47.0		149.0	185.0	3.10
SPRH124-680M	68.0		218.5	290.0	2.50
SPRH124-101M	100.0		281.8	340.0	2.10
SPRH124-221M	220.0		609.9	780.0	1.40
SPRH124-331M	330.0		798.0	1000.0	1.10
SPRH124-471M	470.0		1280.0	1530.0	0.80
SPRH124-681M	680.0		1470.0	1600.0	0.50
SPRH124-102M	1000.0		2100.0	2800.0	0.36

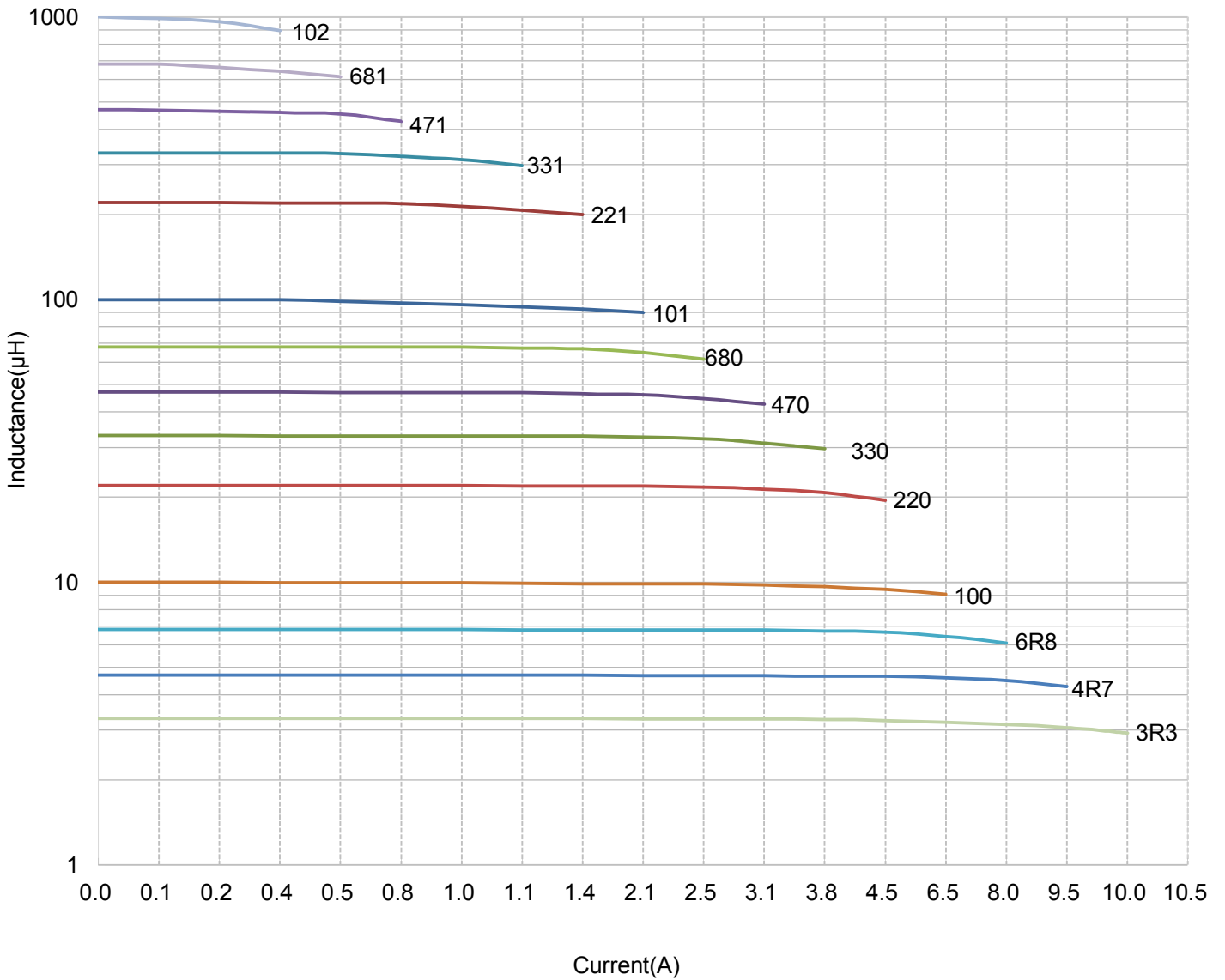
Notes

- Measurement Frequency for Inductance : 100KHz/0.1V
- DCR Measured on a 502BC ohm-meter
- The saturation current : Value of inductance decrease within 20%

注释

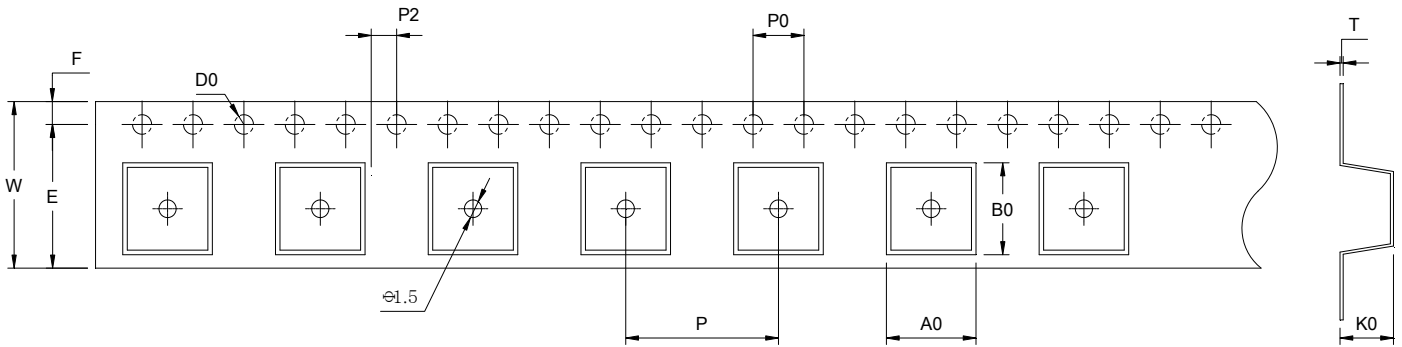
- 测试频率：100KHz/0.1V
- 直流电阻使用 502BC 电阻测试仪测试
- 饱和电流：电感值衰减幅度不超出20%的电流

Typical Inductance vs Current Characteristics



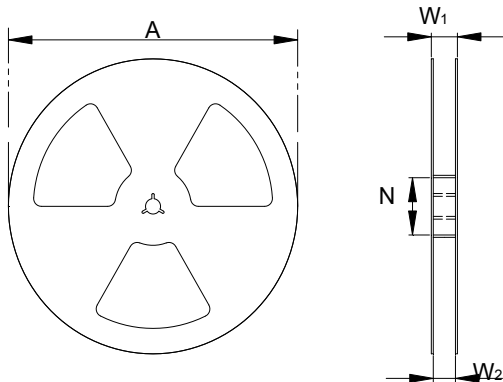
Packaging Dimensions(Unit:mm)

(1).Tape Packaging Dimensions



W	E	F	K ₀	T	A ₀	B ₀	P	P ₀	P ₂
24.0±0.3	11.5±0.1	1.75±0.1	4.8±0.1	0.35±0.05	12.65±0.1	12.65±0.1	16.0±0.1	4.0±0.1	12.0±0.1

(2).Reel Dimensions



A	N	W ₁	W ₂
330.0±2.0	100.0±2.0	30.4 Max	24.4±1.5

(3). Packaging Quantity

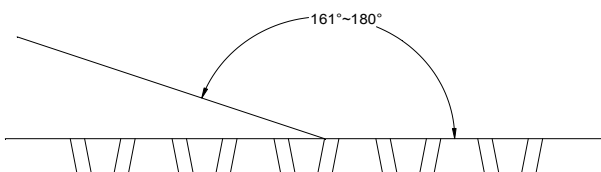


SPRH124 500 Pcs/Reel

Inner Carton: L:340mm * W:340mm * H:95mm

Out Carton: L:355mm * W:355mm * H:385mm

Pull of Cover tape



Tape width	Pull-of force
24.0 mm	0.1N~1.3N