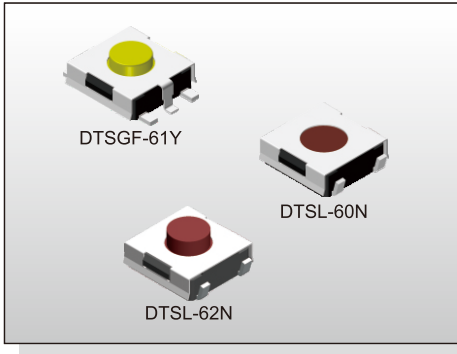


TACT SWITCH  
**DTS(G)(L)(F)-6 SERIES**

**6x6 Thinner Type With Ground Terminal**  
 (Pitch 4.0mm)



**FEATURES**

- ※ Thinner type with 2.0-3.1mm height
- ※ Ground terminal available
- ※ Reflow solderable

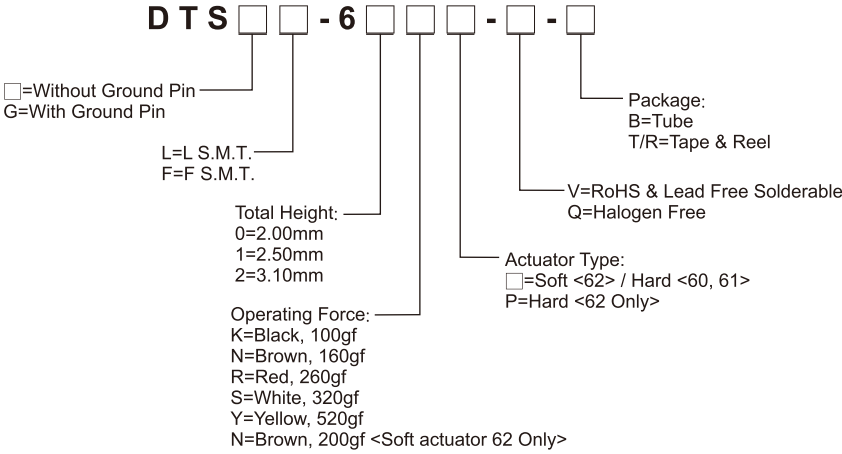
**APPLICATION**

- ※ Audio, OA equipment
- ※ Instrumentation
- ※ White goods

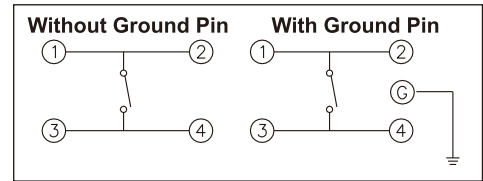
**SPECIFICATION**

Contact Rating	50mA, 12V DC
Contact Resistance	100mΩ max.
Insulation Resistance	100MΩ min. 500V DC
Dielectric Strength	250V AC/1 minute
Operating Force	100±50gf, Black(K) 160±50gf, Brown(N) 200±50gf, Brown(N) 62 Only 260±50gf, Red(R) 320±80gf, White(S) 520±130gf, Yellow(Y)
Travel	0.25mm
Operating Life	300,000 cycles for 520/320gf 500,000 cycles for 260/200gf 1,000,000 cycles for 160/100gf
Operating Temp.	-25°C ~ +70°C
Storage Temp.	-30°C ~ +80°C

**HOW TO ORDER**



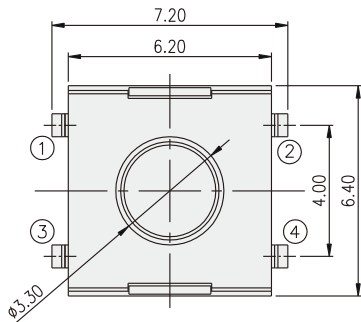
**CIRCUIT**



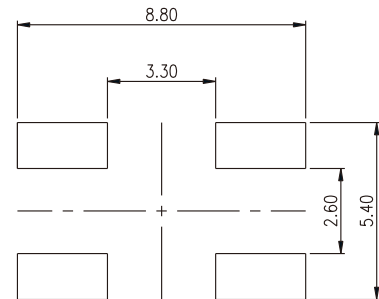
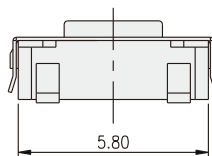
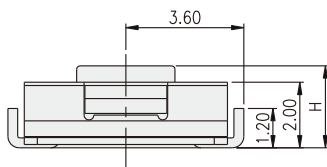
**PACKAGE**

- <Tube>  
75 pcs
- <Tape & Reel>  
 DTS(G)F-60  / DTSF-61 : 3000 pcs  
 DTS(G)L-60  / DTS(G)L-61 : 2700 pcs  
 DTS(G)L-62  / DTS(G)F-62 : 2500 pcs  
 DTSGF-61 : 2500 pcs

**DTSL-6**



PART NO.	H
DTSL-60	2.00
DTSL-61	2.50
DTSL-62	3.10



P.C.B. LAYOUT

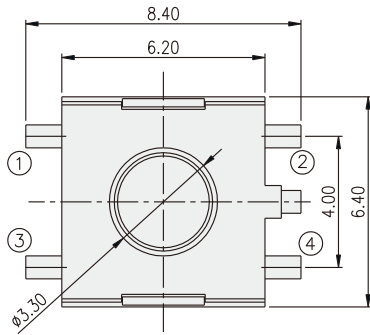
TACT SWITCH

TACT SWITCH  
**DTS(G)(L)(F)-6** SERIES

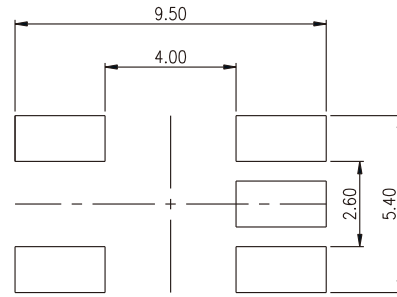
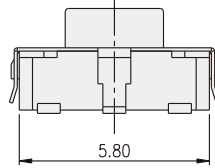
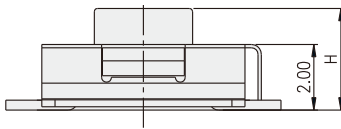
6x6 Thinner Type With Ground Terminal  
 (Pitch 4.0mm)



DTSGF-6



PART NO.	H
DTSGF-60	2.00
DTSGF-61	2.50
DTSGF-62	3.10



P.C.B. LAYOUT

TACT SWITCH