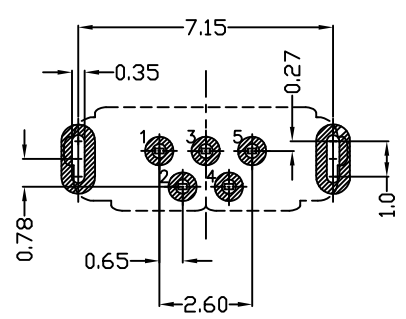
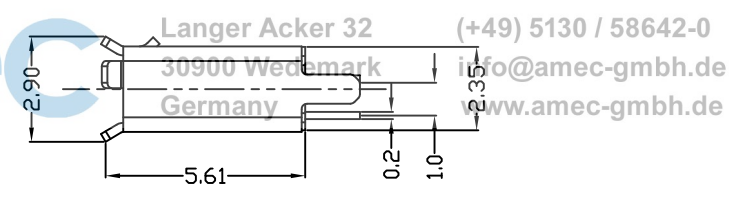
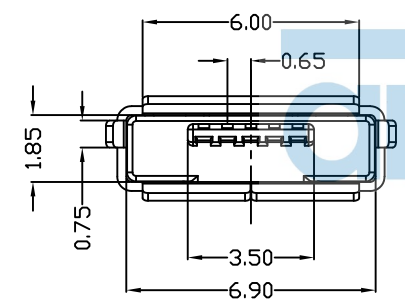
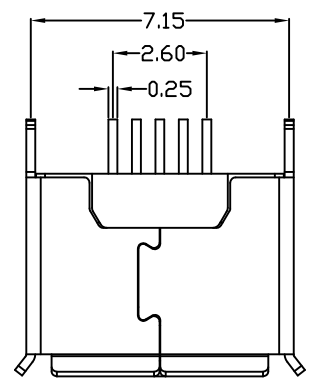
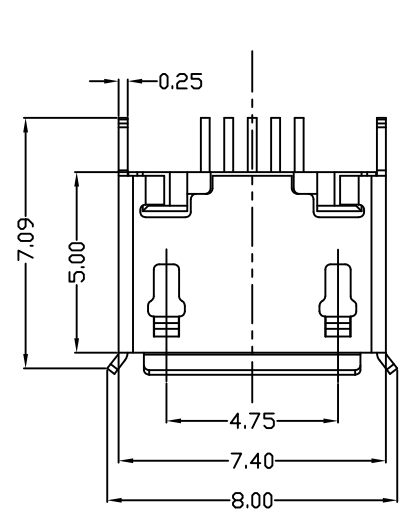


REV.	SPECIFICATION	ECN NO.	APPD.



Material:
Housing: High Temperature Plastic UL94V-0 Black.
Contacts: Copper Alloy.
Shell: Metal, Tin Plating.

Electrical Characteristics:
Current Rating: 1.0 AMP.
Dielectric Withstanding Voltage : AC 250V for 1 minute.
Insulator Resistance: 50MΩ min.
Contact Resistance: 50mΩ max.
Operating Temperature: -20°C~ +85°C.

Mechanical Characteristics:
Mate Force: 1.02 Kgf max.
Unmate Force: 3.0 Kgf max.
Durability: 3000 Cycles.

***RoHS Compliant**

8971- AB 05 G 00 S T
Series Style Position G: Gold Plated 00: G/F S: Straight T: Tape & Reel Package

Tolerances x = ±0.5 .x = ±0.35 .xx = ±0.25	Dwg. No.	8971D02004		Title: 8971 Series Micro USB AB Type Straight Female	 OUPIIN ELECTRONIC(KUNSHAN) CO., LTD. P/N: 8971-AB05G00ST			
	Projection							
	Unit	mm	Scale		1:1	SHEET	1/1	Ver.No.
Drawn By	Peggy 01/08'16		①654					