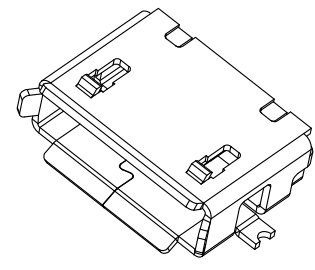
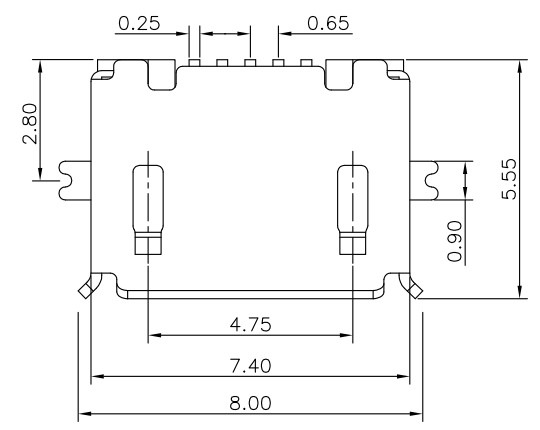
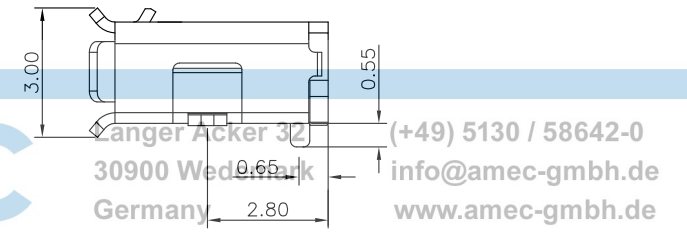
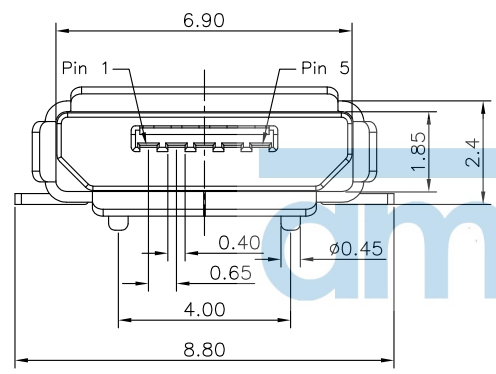


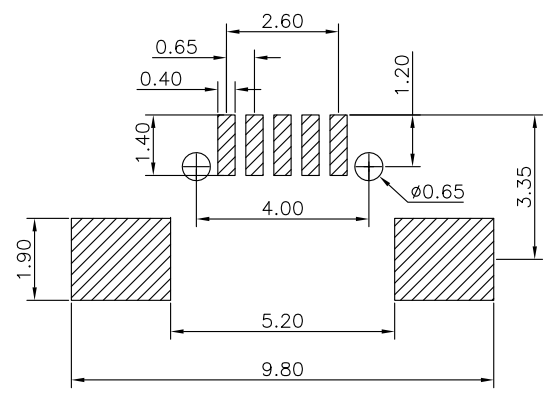
REV.	SPECIFICATION	ECN NO.	APPD.



**Material:**  
**Housing:** High Temperature Plastic UL94V-0.  
**Contacts:** Copper Alloy.  
**Shell:** Copper Alloy.  
**Electrical Characteristics:**  
**Voltage Rating:** AC 30V.  
**Current Rating:** 1.0 AMP.  
**Dielectric Withstanding Voltage:** AC 300V for 1 minute.  
**Insulator Resistance:** 100MΩ min. at DC 500V.  
**Contact Resistance:** 50mΩ max. at DC 100mA.  
**Operating Temperature:** -55°C~+85°C.  
**Mechanical Characterstlcs:**  
**Mating Force:** 30N max.  
**Unmating Force:** 7N min.  
**Durability:** 5000 Cycles.  
**\*RoHS Compliant**


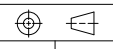


anger Acker 32 (+49) 5130 / 58642-0  
 30900 Wedau info@amec-gmbh.de  
 Germany www.amec-gmbh.de



P.C.Board Layout

**8971-** AB 05 G xx D P T  
 Series Style Position G:Gold Plated 00: G/F D: SMD Type P: With Post T: Tape&Reel Package  
 30: 30 μ" N: Without Post U: Tube Package

Tolerances	Dwg. No.	8971D02003	Title:		 OUPIN ELECTRONIC(KUNSHAN) CO., LTD. P/N: 8971-AB05GxxDPT
x = ±0.5	Projection		8971 Series		
.x = ±0.30	Unit	mm	Scale	1:1	
.xx = ±0.25	Drawn By	Vic Lyu10/29'15	① 785	Female	SHEET
					1/1
					Ver.No.
					A5