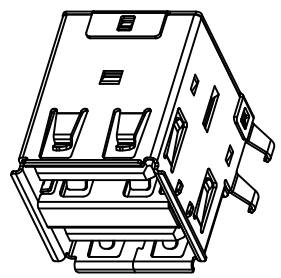
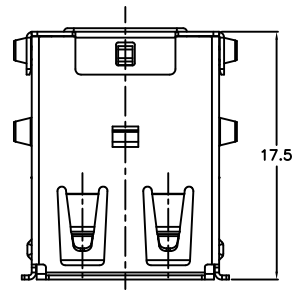


REV.	SPECIFICATION	ECN NO.	APPD.



Material:

Housing: Thermoplastic Polyester Glass Filled UL94V-0.
 Contacts: Copper Alloy.
 Shell: Copper Alloy.
 Back Cover: Metal.

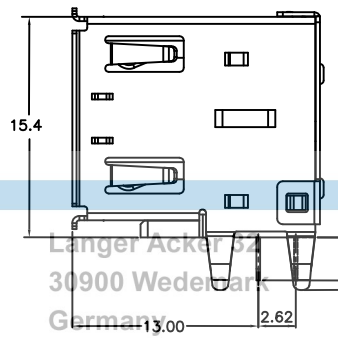
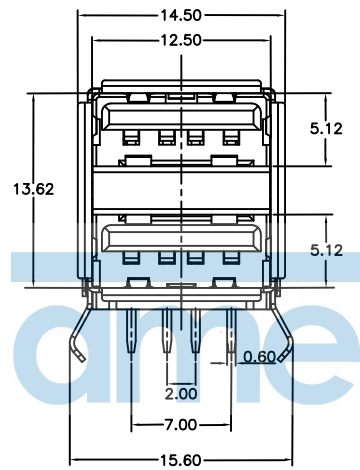
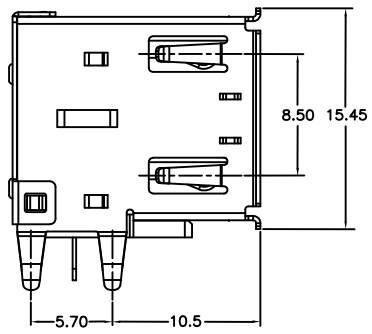
Electrical Characteristics:

Voltage Rating: AC 30V.
 Current Rating: 2 AMP.
 Dielectric Withstanding Voltage: AC 500V For 1 minute.
 Insulator Resistance: 1000MΩ min. at DC 500V.
 Contact Resistance: 30mΩ max. at DC 100mA.
 Operating Temperature: -55°C~+85°C.

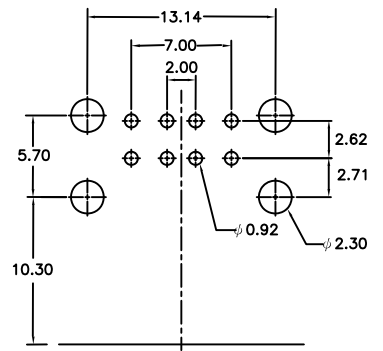
Mechanical Characteristics:

Mating Force: 3.57 Kgf max.
 Unmating Force: 1.02 Kgf max.
 Durability: 1500 Cycles.

***RoHS Compliant**



Langer Acker 52 (49) 5130 / 58642-0
 30900 Wedemark info@amec-gmbh.de
 Germany www.amec-gmbh.de



P.C. Board Layout

8968-A 08 C 00 R W A
 Series Position C: Selective 00: G/F R: Right W: White A: Tray
 Gold Plated 30: 30μ" Angle B: Black Package

Tolerances	Dwg. No.	8968D02003		Title:		OUPIN OUPIN ELECTRONIC(KUNSHAN) CO., LTD.				
x = ±0.50	Projection	⊕ ↗		8968 Series						
.x = ±0.30	Unit	mm	Scale	1:1		USB A Type		P/N: 8968-A08C00RWA		
.xx = ±0.25	Drawn By	Vic Lyu11/26'15		① 785		SHEET		1/1	Ver.No.	B3