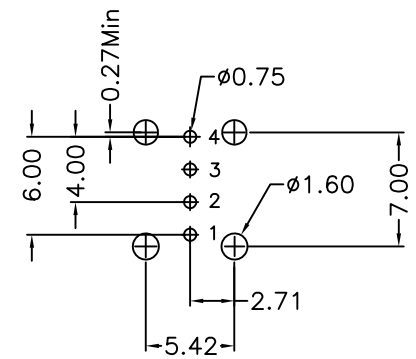
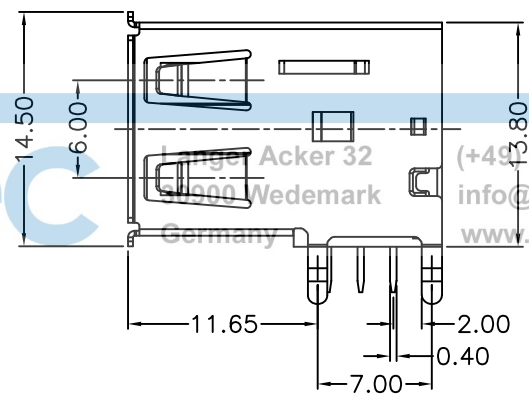
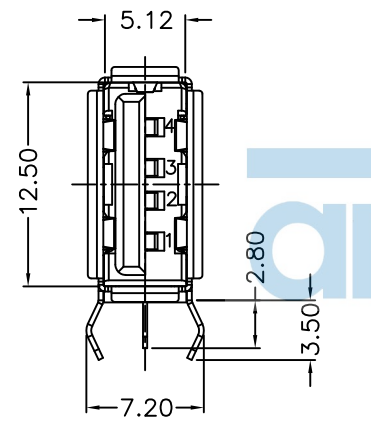
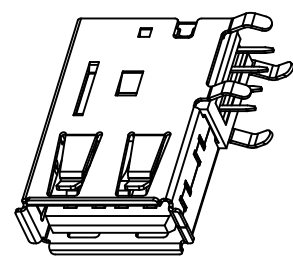
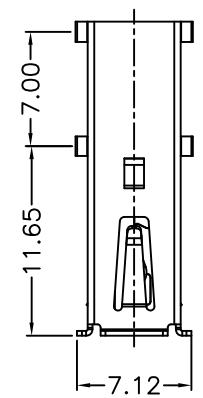


REV.	SPECIFICATION	ECN NO.	APPD.



P.C.Board Layout

**Material:**

Housing: Thermoplastic Polyester Glass Filled UL94V-0.  
 Contacts: Copper Alloy.  
 Shell: Copper Alloy.

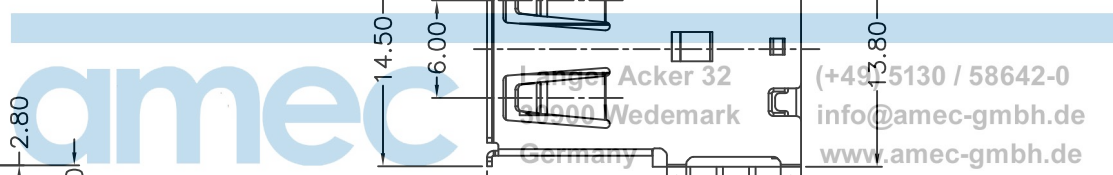
**Electrical Characteristics:**

Voltage Rating: 30V.  
 Current Rating: 2 AMP.  
 Dielectric Withstanding Voltage: AC 500V For 1 minute.  
 Insulator Resistance: 1000MΩ min. at DC 500V.  
 Contact Resistance: 30mΩ max. at DC 100mA.  
 Operating Temperature: -55°C~+85°C.


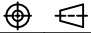
**Mechanical Characteristics:**

Mating Force: 35N max.  
 Unmating Force: 10N min.

**\*RoHS Compliant**



8968-A 04 C 00 UR x 3 A  
 Series Position C: Selective 00: G/F UR: Upright W: White 3: Type 3 A: Tray Package  
 Gold Plated 30: 30 μ"

Tolerances	Dwg. No.	8968D02013		Title:		 OUPIIN ELECTRONIC(KUNSHAN) CO., LTD. P/N: 8968-A04C00URx3A	
x = ±0.50	Projection			8968 Series USB A Type Upright Type			
.x = ±0.30	Unit	mm	Scale	1:1		SHEET	1/1
.xx = ±0.25	Drawn By	Peggy01/07'16		785		Ver.No.	A4