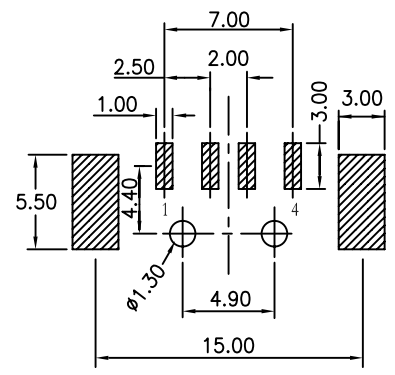
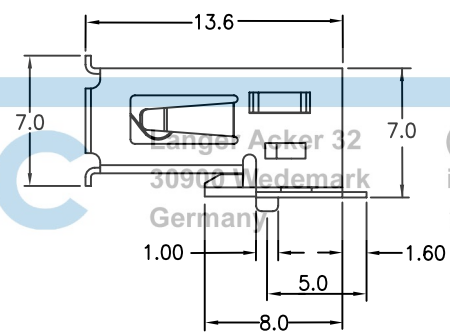
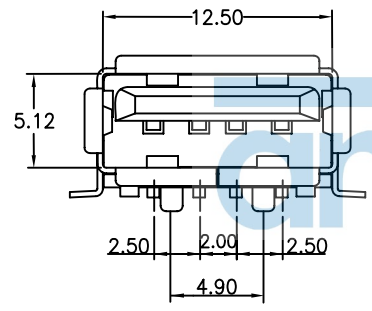
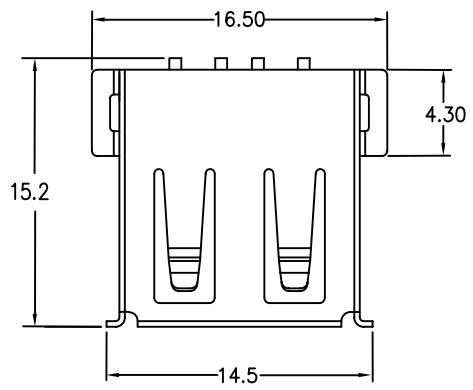


REV.	SPECIFICATION	ECN NO.	APPD.



P.C.Board Layout

Material:

Housing: High Temperature Plastic UL94V-0.
 Contacts: Copper Alloy.
 Shell: Copper Alloy.


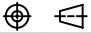
Electrical Characteristics:

Current Rating: 1 AMP at DC 30V.
 Insulator Resistance: 1000MΩ min. at DC 500V.
 Contact Resistance: 30mΩ max. at DC 100mA.
 Operating Temperature: -25°C~+80°C.

***RoHS Compliant**

amec Langer Acker 32 30907 Wedemark Germany (+49) 5130 / 58642-0 info@amec-gmbh.de www.amec-gmbh.de

8968-A 04 C 00 D W A
 Series Position C: Selective Gold Plated 00:G/F D:SMD Type W:White B:Black A: Tray Package

Tolerances	Dwg. No.	8968D00016	Title:	 OUPIIN ELECTRONIC(KUNSHAN) CO., LTD. P/N: 8968-A04C00DWA				
x = ±0.5	Projection		8968 Series					
.x = ±0.30	Unit	mm	Scale	1:1	SHEET	1/1	Ver.No.	A7
.xx = ±0.20	Drawn By	Peggy03/28'14	①785	USB SMD A Type				