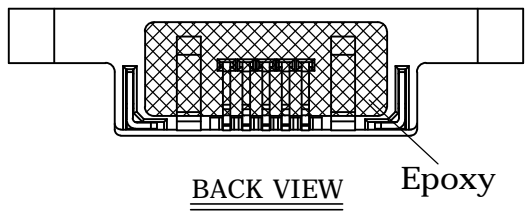
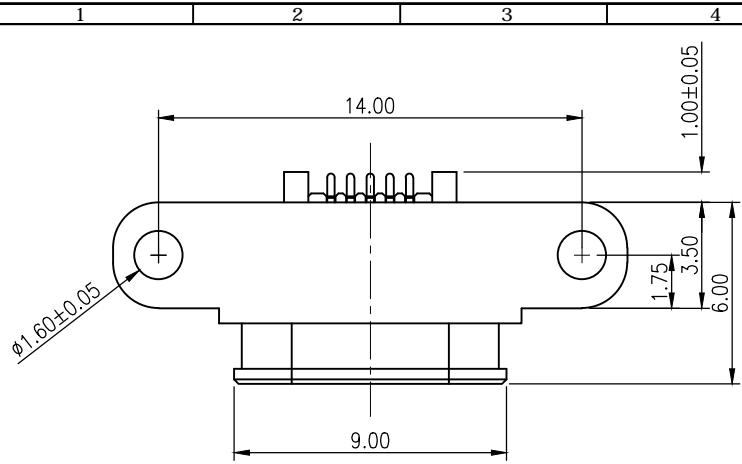


REV.	DESCRIPTION	DRAWN	DATE
1	INITIAL RELEASE	Willis	2014/07/21
2	REVISED FRAME, ADD SPEC. ITEM 3.3	Fros	2015/10/26

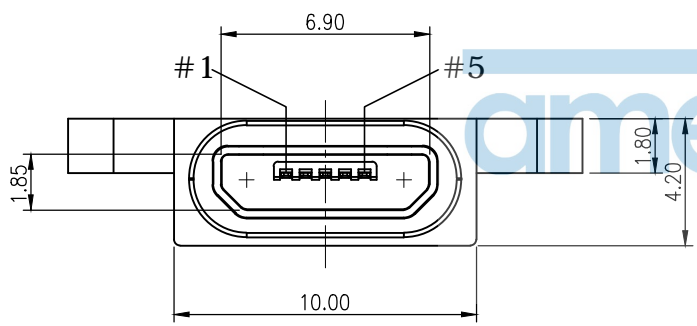
SPECIFICATION:

1. ELECTRICAL
 - 1.1 Current Rating:
Signal (Pin1,2,3,4,5): 1.0A
Power (Pin1,5): 1.8A ,Other: 0.5A
 - 1.2 Voltage Rating: 250V max
 - 1.3 Contact Resistance: 40mΩ max
 - 1.4 Insulation Resistance: 1000MΩ
 - 1.5 Dielectric Withstanding Voltage: 100VAC
2. MECHANICAL
 - 2.1 Durability: 10,000 Cycle
 - 2.2 Insertion Force: 35N max.
 - 2.3 Extraction Force: 8~20N max.
3. ENVIRONMENTAL
 - 3.1 Operating temperature range: -25°C~+85°C
 - 3.2 Storage temperature range: -20°C~+85°C
 - 3.3 Wasterproof Level: IPX7
4. SOLDER ABILITY
 - 4.1 Recommended IR Reflow Temperature: 260°C +0/-5°C

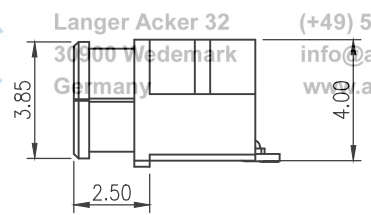


BACK VIEW

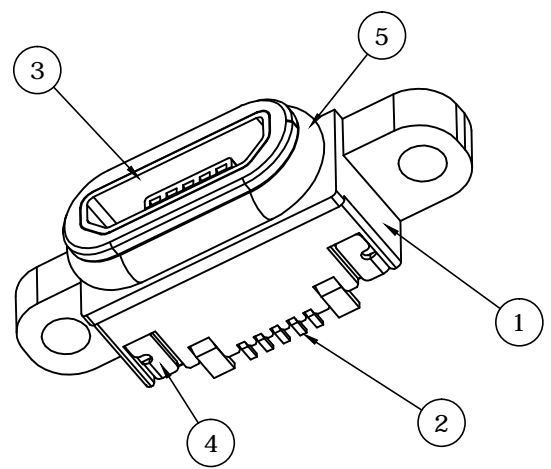
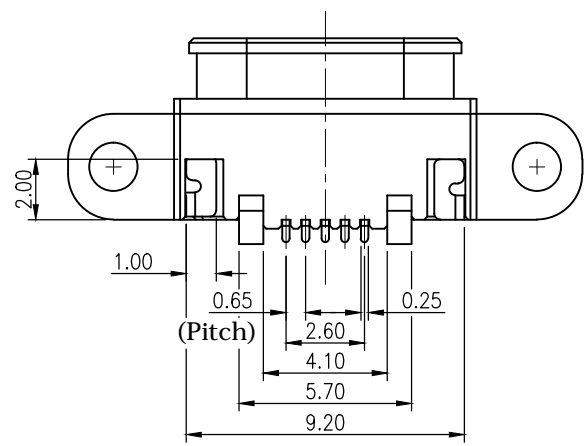
Epoxy



FRONT VIEW



RIGHT VIEW



5	O-RING	Silicon
4	HOLDDOWN	Brass C2680, Matte Tin plating
3	SHELL	Stainless steel SUS301, Matte Tin plating
2	CONTACT	Phosphor Bronze C5191, Contact area: 10u" gold, Solder tail: gold flash
1	HOUSING	LCP, UL94V-0, Black
NO.	PART NAME	DESCRIPTION

UNLESS OTHERWISE SPECIFIED TOLERANCE

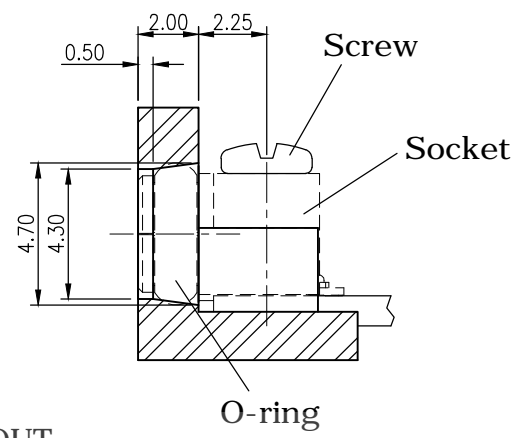
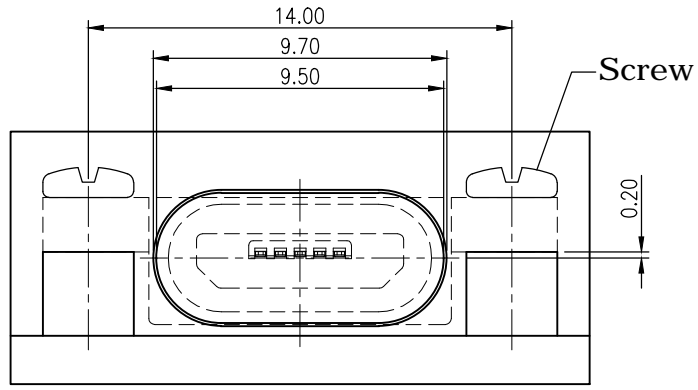
UNIT:	DECIMAL	LINEAR	ANGLES
mm	X.	±0.50	±5°
	X.X	±0.25	±3°
	X.XX	±0.12	±1°



WWW.ATTEND.COM.TW

DRAWN	Willis	2014/07/21	DRAWN NAME:	
CHECKED	Angel	2014/07/21	Micro USB B Receptacle Waterproof SMD Type	
APPROVED	Ken	2014/07/21	PRODUCT NO.	207G-BD00
SCALE	4/1	SHEET	1/2	SIZE
			A4	FILE NAME
				207G-BD00_B_2

REV.	DESCRIPTION	DRAWN	DATE
	see sheet one		

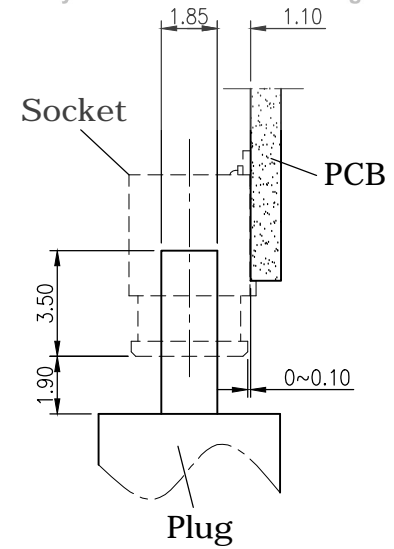
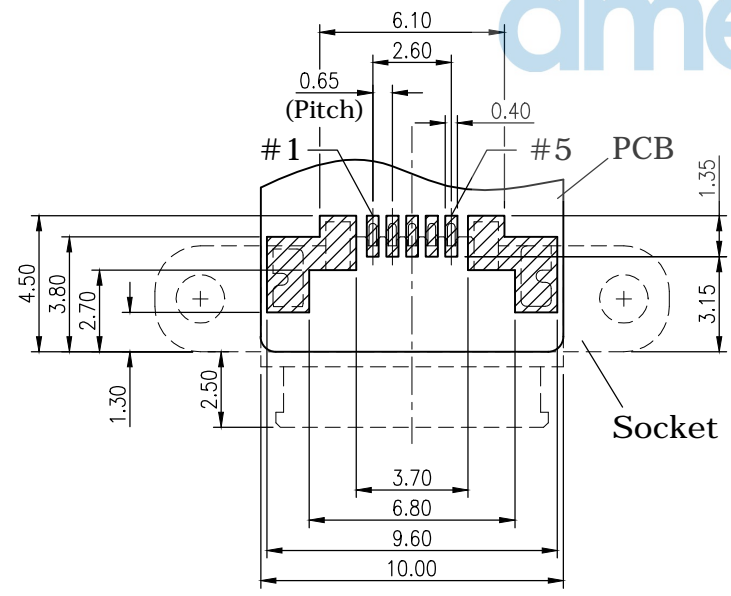


RECOMMEND CUT OUT


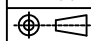


Langer Acker 32
30900 Wedemark
Germany

(+49) 5130 / 58642-0
info@amec-gmbh.de
www.amec-gmbh.de



RECOMMEND LAYOUT  PAD

UNLESS OTHERWISE SPECIFIED TOLERANCE					
UNIT:	DECIMAL	LINEAR	ANGLES		
mm	X.	±0.50	±5°	DRAWN NAME: Micro USB B Receptacle Waterproof SMD Type DRAWN Willis 2014/07/21 CHECKED Angel 2014/07/21 APPROVED Ken 2014/07/21 PRODUCT NO. 207G-BD00 FILE NAME 207G-BD00_B_2	
	X.X	±0.25	±3°		
	X.XX	±0.12	±1°		
DRAWN	Willis	2014/07/21	DRAWN NAME: Micro USB B Receptacle Waterproof SMD Type		
CHECKED	Angel	2014/07/21	DRAWN NAME: Micro USB B Receptacle Waterproof SMD Type		
APPROVED	Ken	2014/07/21	DRAWN NAME: Micro USB B Receptacle Waterproof SMD Type		
	SCALE 4/1	SHEET 2/2	SIZE A4	DRAWN NAME: Micro USB B Receptacle Waterproof SMD Type	