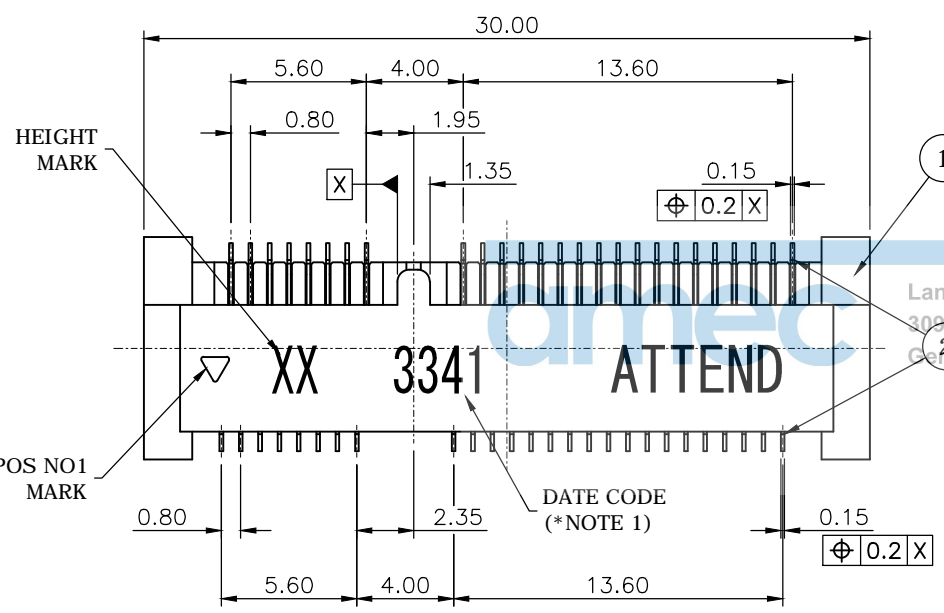
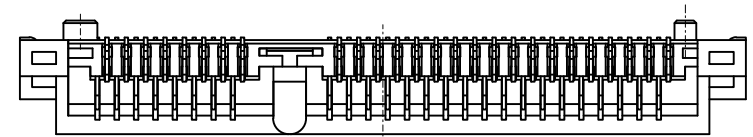


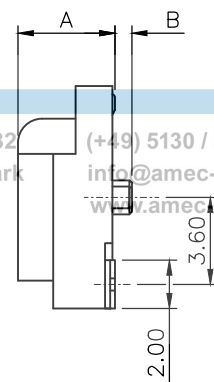
NO.	DESCRIPTION	DRAWN	DATE
2	ADD PACKING & DIMENSIONS TABLE	FROS	2014/12/19
3	ADD PAGE 4, SLUG HOLE NOTES	FROS	2015/08/11
4	REVISED PACKING	FROS	2015/11/23

SPECIFICATION:

1. ELECTRICAL
 - 1.1 Current Rating: 0.5A per pin
 - 1.2 Voltage Rating: 50V DC
 - 1.3 Contact Resistance: 55mΩ Max
 - 1.4 Insulation Resistance: 500MΩ Min
 - 1.5 Dielectric Withstanding Voltage: 300VAC
2. MECHANICAL
 - 2.1 Durability: 100 Cycle
 - 2.2 Insertion Force: 2.3Kgf max.
 - 2.3 Extraction Force: 2.3Kgf max.
3. ENVIRONMENTAL
 - 3.1 Operating temperature range: -40°C~+85°C
 - 3.2 Storage temperature range: -40°C~+85°C
4. SOLDER ABILITY
 - 4.1 Recommended IR Reflow Temperature: 260°C 10Sec

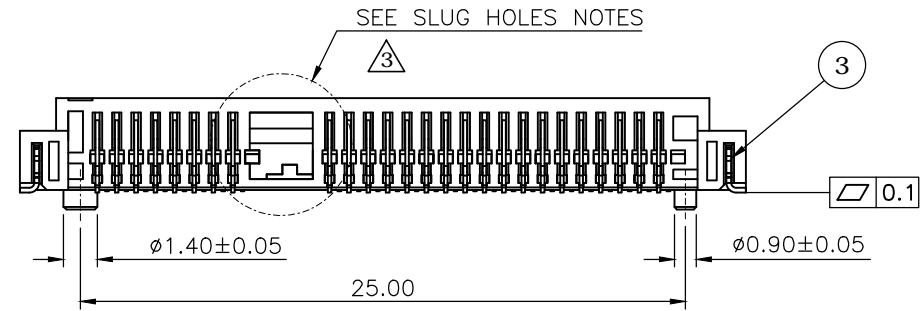


*SEE TABLE


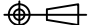


DIMENSIONS TABLE		
A	B	P/N
4.0	0.7	119A-40A00-R04
5.6	0.5	119A-56A00-R04

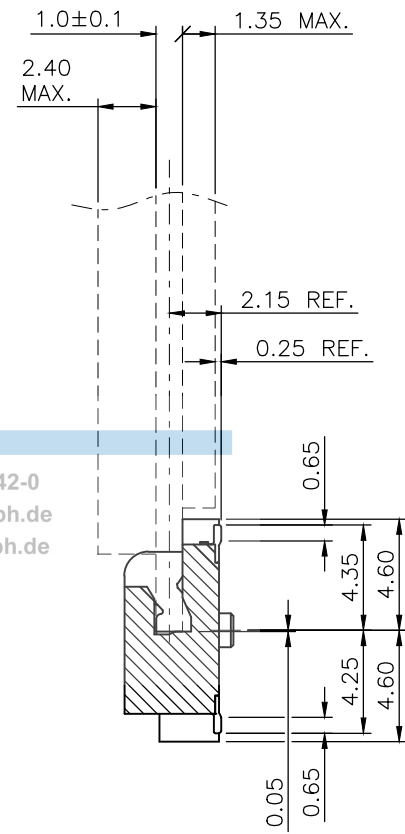
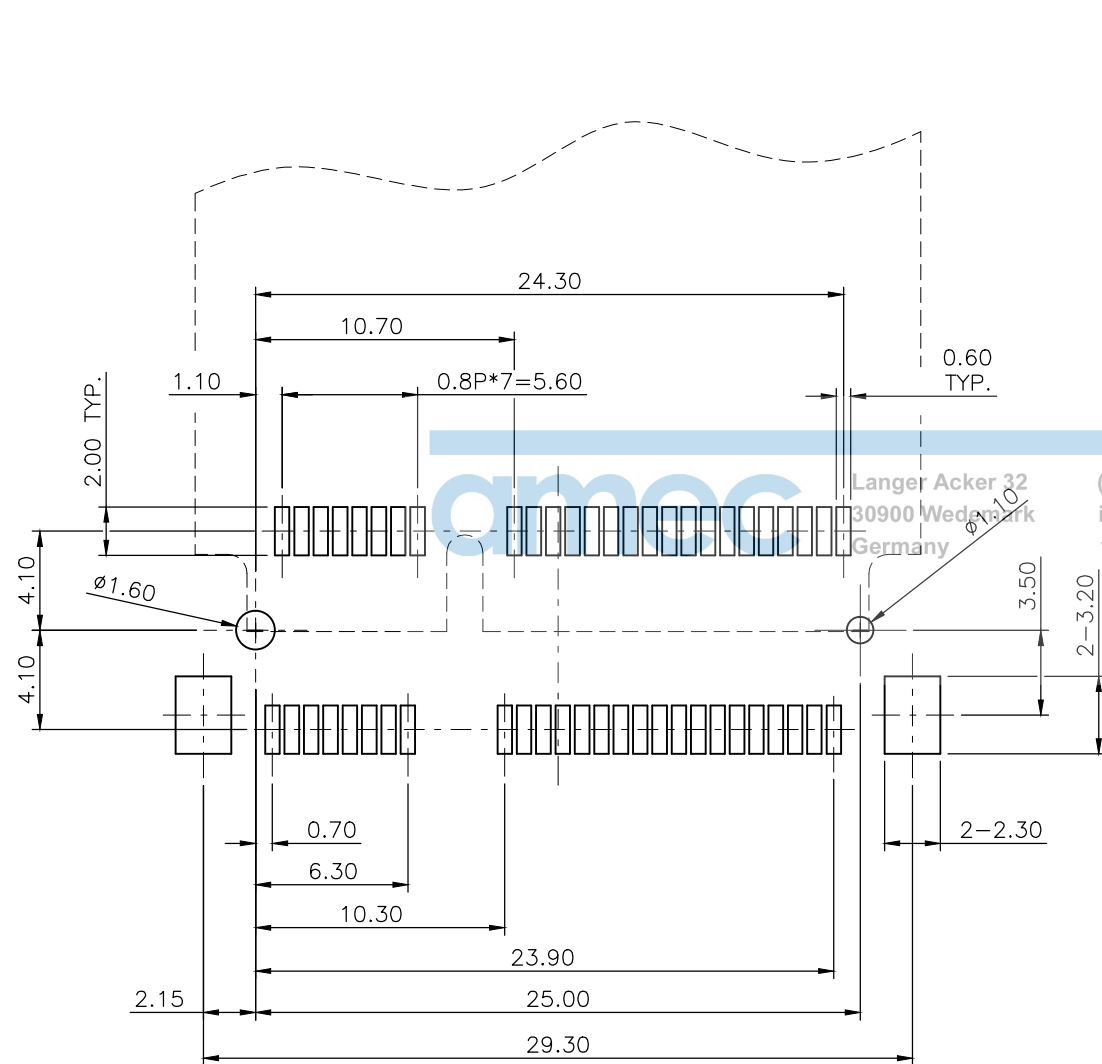
NOTE: 1
 DATE CODE: 3 3 4 1
 YEAR 2013 DAY 1 AT WEEK
 WEEK 34

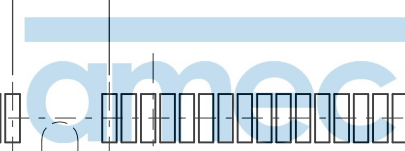


3	HOLDDOWN	Brass C2680, Tin Plated
		Phosphor Bronze C5210,
2	CONTACT	Contact Area: Gold Flash Over Nickel
1	HOUSING	LCP UL94V-0, Black

NO. PART NAME		DESCRIPTION	
UNLESS OTHERWISE SPECIFIED TOLERANCE			
UNIT:	DECIMAL	LINEAR	ANGLES
	X.	±0.50	±5°
	X.X	±0.25	±3°
	X.XX	±0.12	±1°
 WWW.ATTEND.COM.TW			
DRAWN	Fros	2014/12/12	DRAWN NAME: Mini PCI Express Socket H:X.Xmm
CHECKED	Ron	2014/12/12	
APPROVED	Albert	2014/12/12	PRODUCT NO. SEE P/N TABLE
 SCALE 3.2	SHEET 1/4	SIZE A4	FILE NAME 119A-XXA00-R04_B_4

NO.	DESCRIPTION	DRAWN	DATE
	SEE SHEE 1		


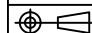



 Langer Acker 32
 30900 Wedemark
 Germany
 (+49) 5130 / 58642-0
 info@amec-gmbh.de
 www.amec-gmbh.de

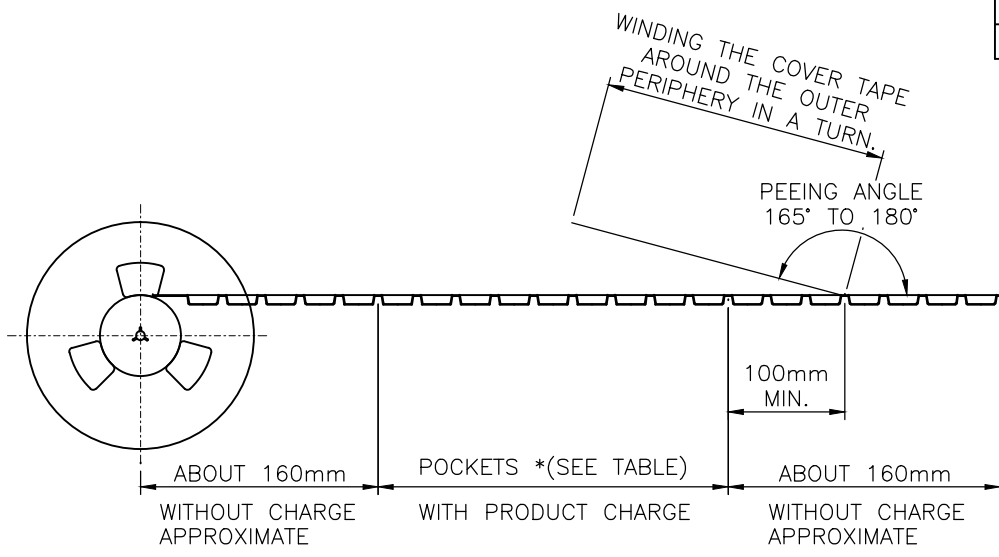
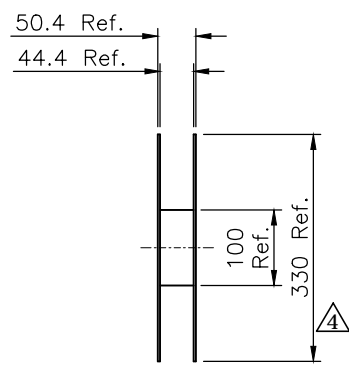
RECOMMEND PCB LAYOUT, TOP VIEW

----- IS CARD
 _____ IS PAD LAYOUT

GENERAL TOLERANCE: ±0.05

UNLESS OTHERWISE SPECIFIED TOLERANCE				 WWW.ATTEND.COM.TW
UNIT:	DECIMAL	LINEAR	ANGLES	
mm	X.	±0.50	±5°	
	X.X	±0.25	±3°	
	X.XX	±0.12	±1°	
DRAWN	Fros	2014/12/12	DRAWN NAME:	
CHECKED	Ron	2014/12/12	Mini PCI Express Socket H:X.Xmm	
APPROVED	Albert	2014/12/12	PRODUCT NO. SEE P/N TABLE	
 SCALE 3.2	SHEET 2/4	SIZE A4	FILE NAME 119A-XXA00-R04_B_4	

NO.	DESCRIPTION	DRAWN	DATE
	SEE SHEE 1		



NOTE:

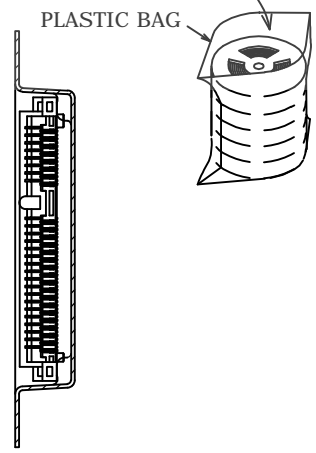
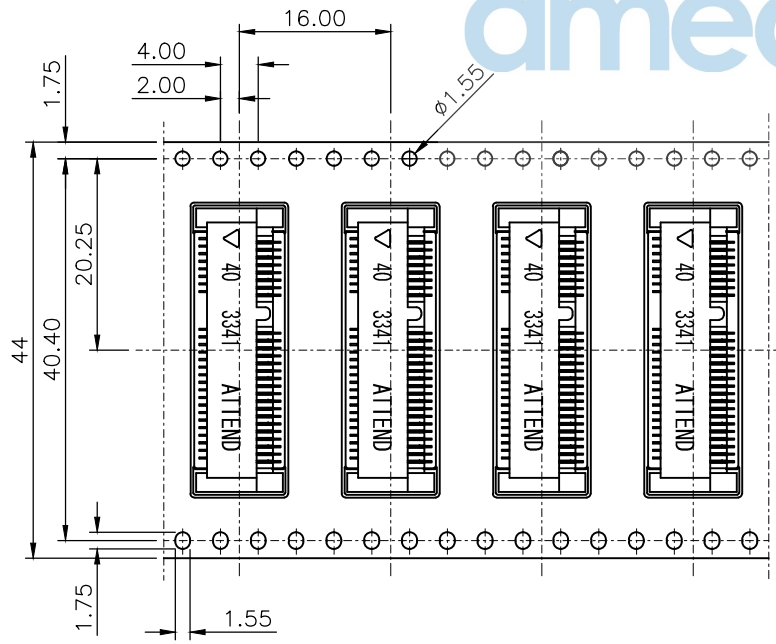
1. PEELING RESISTANCE: 0.1N~0.13N (10gf~130gf)
PEELING ANGLE: 165°~180°
PEELING SPEED: 300mm/min.
2. PACKING STYLE
6 REEL/CARTON

PACKING TABLE		
P/N	Q'TY/ REEL	Q'TY/ CARTON
119A-40A00-R04	700 PCS	4,200 PCS
119A-56A00-R04	550 PCS	3,300 PCS

REEL DIMENSIONS
SCALE 1/10



Langer Acker 32
30900 Wedem
Germany
(+49) 5130 / 58642-0
info@amec-gmbh.de
www.amec-gmbh.de



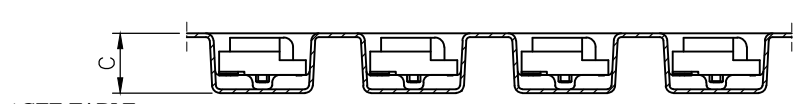
BOX PACKING

DIMENSIONS TABLE	
C	P/N
6.30	119A-40A00-R04
7.90	119A-56A00-R04

UNLESS OTHERWISE SPECIFIED TOLERANCE			
UNIT:	DECIMAL	LINEAR	ANGLES
mm	X.	±0.50	±5°
	X.X	±0.25	±3°
	X.XX	±0.12	±1°



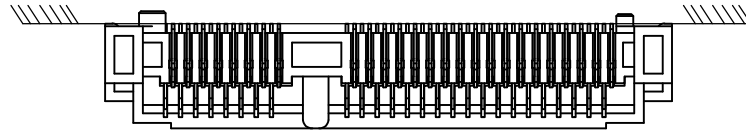
WWW.ATTEND.COM.TW
DRAWN NAME: Mini PCI Express Socket H:X.Xmm
PRODUCT NO. SEE P/N TABLE
FILE NAME 119A-XXA00-R04_B_4



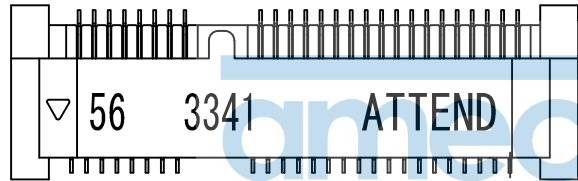
*SEE TABLE

NO.	DESCRIPTION	DRAWN	DATE
	see sheet one		

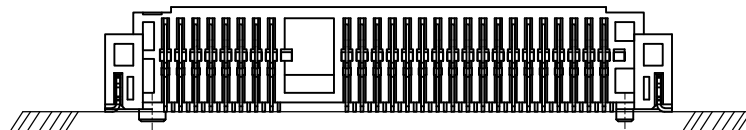
119A-56A00-R04



FRONT SIDE

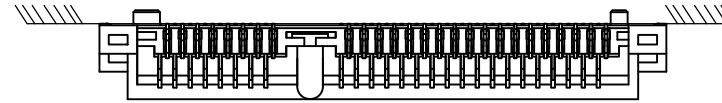


TOP VIEW

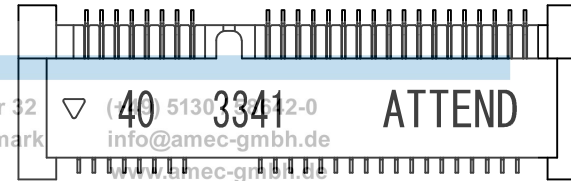


BACK SIDE

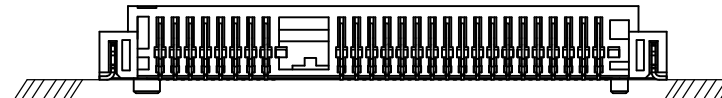
119A-40A00-R04



FRONT SIDE



TOP VIEW



BACK SIDE

Langer Acker 32
30900 Wedemark
Germany

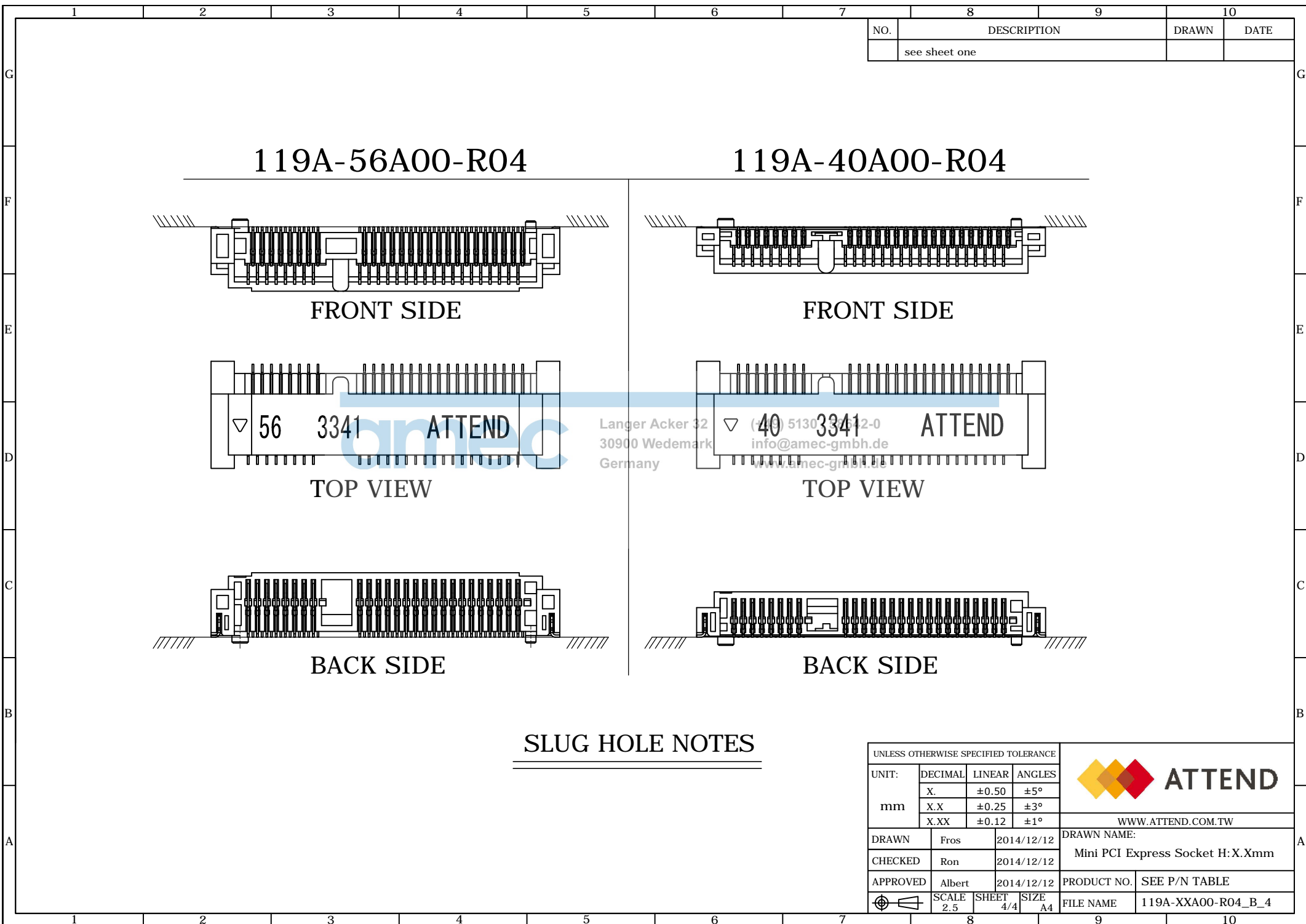
(+49) 513077542-0
info@amec-gmbh.de
www.amec-gmbh.de

SLUG HOLE NOTES

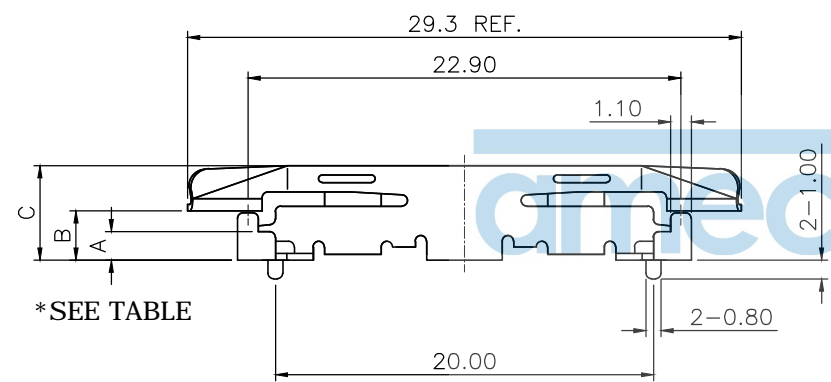
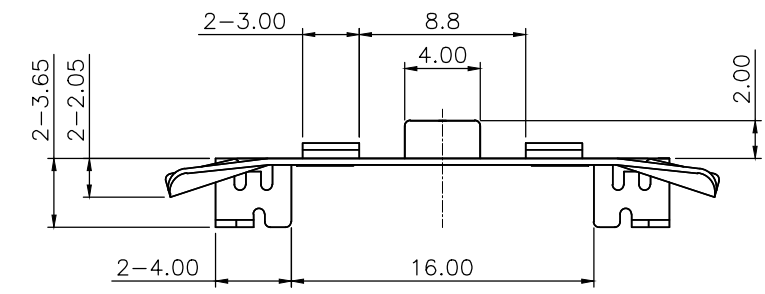
UNLESS OTHERWISE SPECIFIED TOLERANCE			
UNIT:	DECIMAL	LINEAR	ANGLES
mm	X.	±0.50	±5°
	X.X	±0.25	±3°
	X.XX	±0.12	±1°
DRAWN	Fros	2014/12/12	DRAWN NAME: Mini PCI Express Socket H:X.Xmm
CHECKED	Ron	2014/12/12	
APPROVED	Albert	2014/12/12	PRODUCT NO. SEE P/N TABLE
	SCALE 2.5	SHEET 4/4	SIZE A4
FILE NAME		119A-XXA00-R04_B_4	



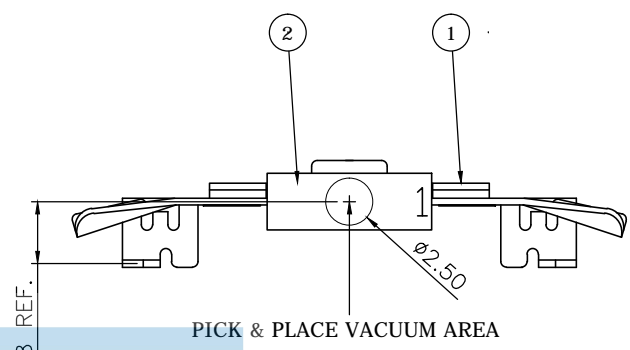
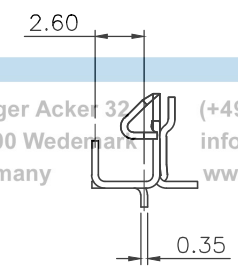
WWW.ATTEND.COM.TW



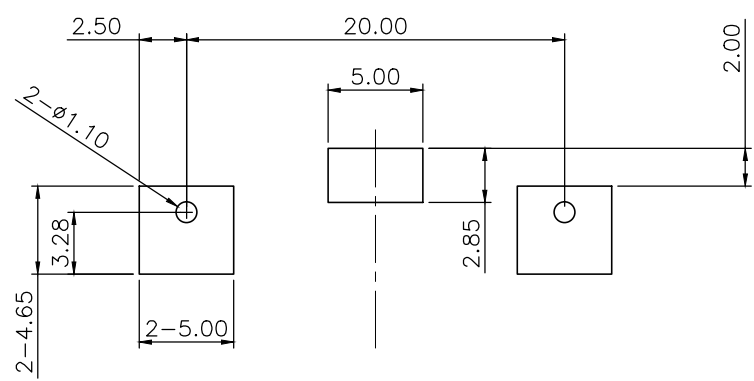
REV.	DESCRIPTION	DRAWN	DATE
1	INITIAL RELEASE	FROS	2014/12/15



Langer Acker 32 (49) 5130 / 5864 30
 30900 Wedel amec info@amec-gmbh.de
 Germany www.amec-gmbh.de



DIMENSIONS TABLE			
A	B	C	P/N
1.5	2.6	5.0	119A-40LATCH
3.1	4.2	6.6	119A-56LATCH



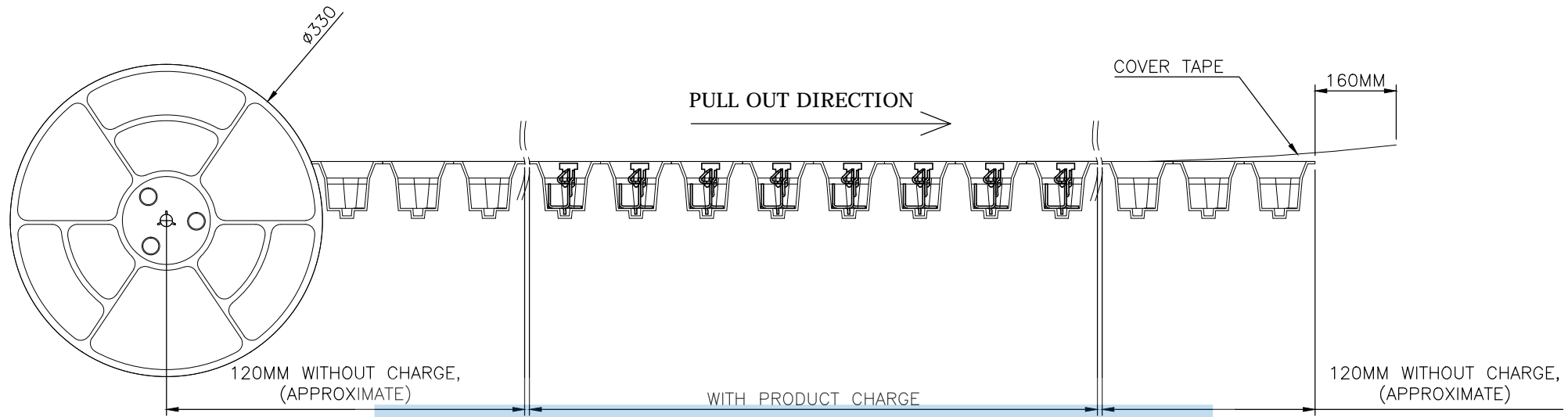
RECOMMEND PCB LAYOUT

2	Holder	LCP, UL94V-0, BLACK	
1	LATCH	SUS301 3/4H, Tin 80~120u" PLATED	
NO. PART NAME		DESCRIPTION	
UNLESS OTHERWISE SPECIFIED TOLERANCE			
UNIT:	DECIMAL	LINEAR	ANGLES
	mm	X. ±0.50	±5°
		X.X ±0.25	±3°
		X.XX ±0.12	±1°
DRAWN		Fros	2014/12/15
CHECKED		Ron	2014/12/15
APPROVED		Albert	2014/12/15
DRAWN NAME:		Mini PCI Express Latch	
PRODUCT NO.		SEE TABLE	
SCALE		SHEET	SIZE
2.5		1/2	A4
FILE NAME		119A-XXLATCH_B_1	



WWW.ATTEND.COM.TW

REV.	DESCRIPTION	DRAWN	DATE
	SEE SHEET 1		

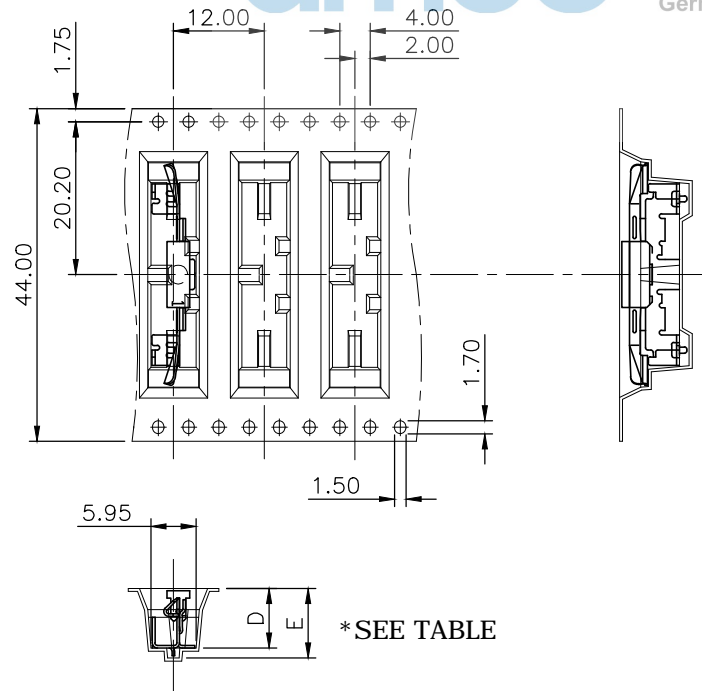


amec

Langer Acker 32
30900 Wedemark
Germany

(+49) 5130 / 58642-0
info@amec-gmbh.de
www.amec-gmbh.de

PACKING QUANTITY			
P/N	REEL	CARTON (5 REEL)	PACKING LEIGHT
119A-40LATCH	700 PCS	3500 PCS	8.64 M
119A-56LATCH	550 PCS	2750 PCS	6.84 M



DIMENSIONS TABLE		
D	E	P/N
6.30	7.60	119A-40LATCH
7.90	9.20	119A-56LATCH

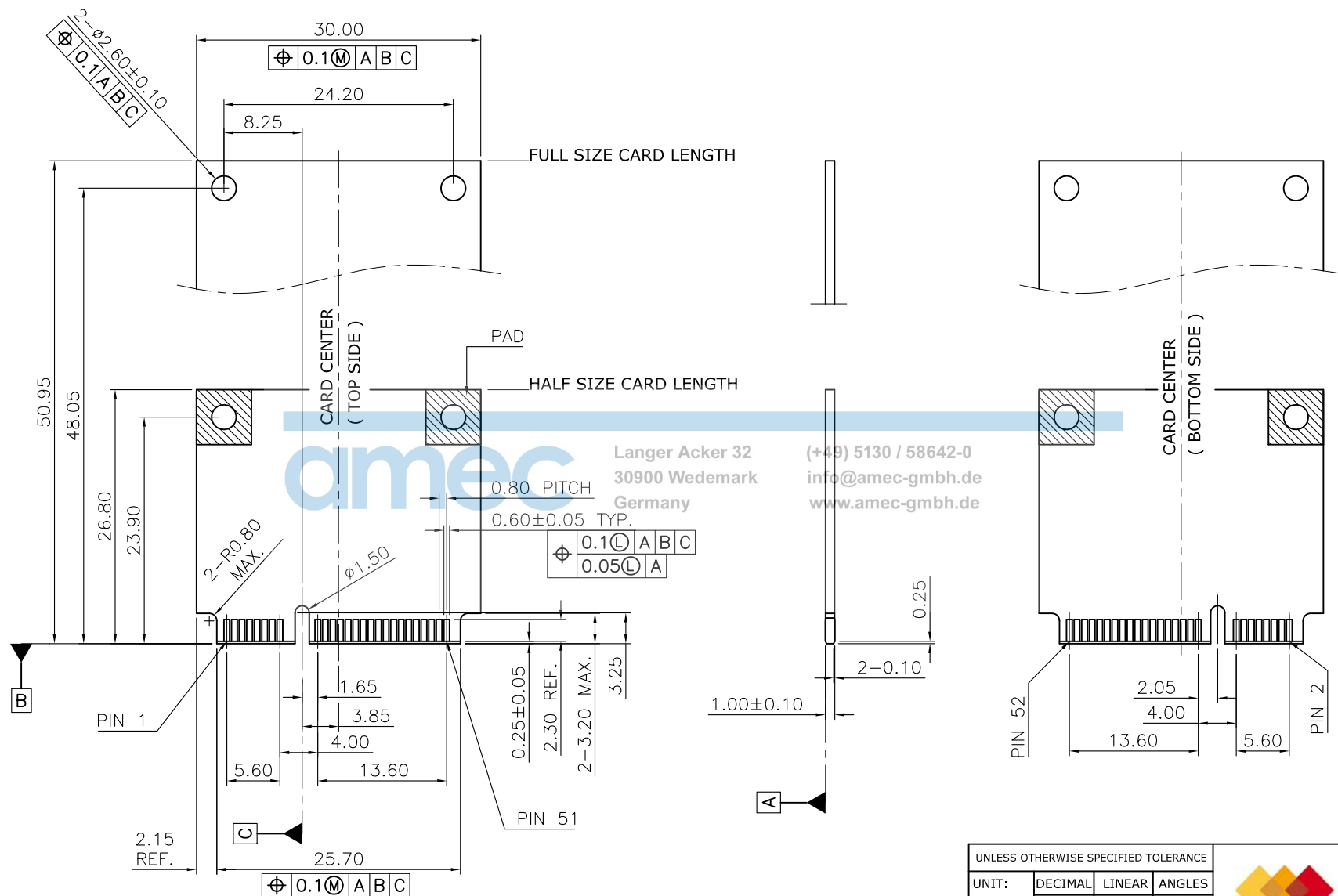
UNLESS OTHERWISE SPECIFIED TOLERANCE			
UNIT:	DECIMAL	LINEAR	ANGLES
mm	X.	±0.50	±5°
	X.X	±0.25	±3°
	X.XX	±0.12	±1°




WWW.ATTEND.COM.TW

DRAWN	Fros	2014/12/15	DRAWN NAME:	
CHECKED	Ron	2014/12/15	Mini PCI Express Latch	
APPROVED	Albert	2014/12/15	PRODUCT NO.	SEE TABLE
	SCALE 1/1	SHEET 2/2	SIZE A4	FILE NAME 119A-XXLATCH_B_1

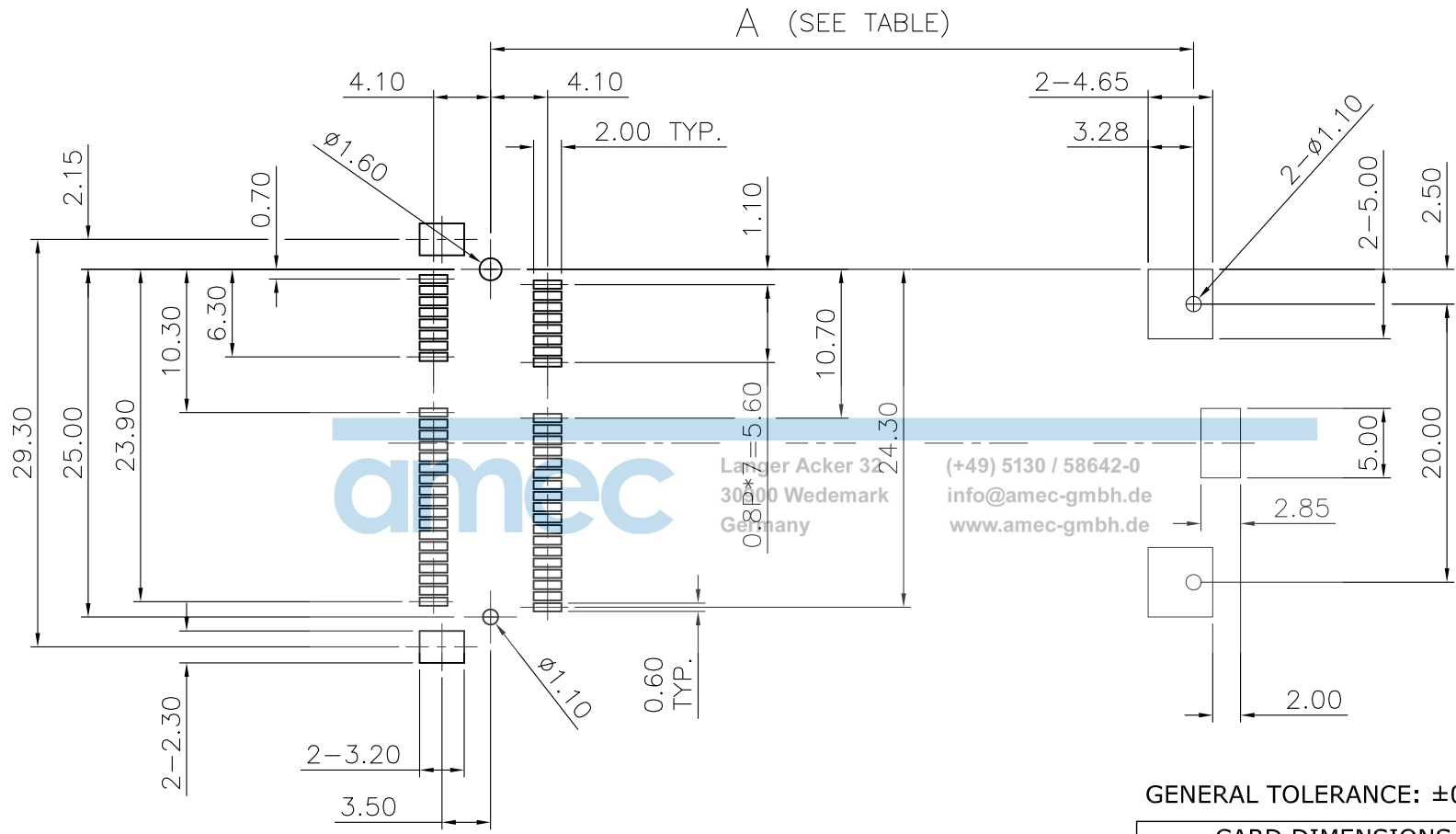
REV.	DESCRIPTION	DRAWN	DATE
1	Initial Release	FROS	2014/12/03



amec Langer Acker 32 (+49) 5130 / 58642-0
 30900 Wedemark info@amec-gmbh.de
 Germany www.amec-gmbh.de

UNLESS OTHERWISE SPECIFIED TOLERANCE					
UNIT:	DECIMAL	LINEAR	ANGLES		
mm	X.	± 0.50	$\pm 5^\circ$	WWW.ATTEND.COM.TW	
	X.X	± 0.25	$\pm 3^\circ$		
	X.XX	± 0.12	$\pm 1^\circ$		
DRAWN	Fros	2014/12/03	DRAWN NAME:		
CHECKED	Ron	2014/12/03	PHYSICAL DIMENSIONS OF		
APPROVED	Albert	2014/12/03	PCI EXPRESS MINI CARD		
SCALE	1.6/1	SHEET	1/1	SIZE	A4
FILE NAME	119A-CARD_1				

REV.	DESCRIPTION	DRAWN	DATE
1	Initial Release	FROS	2014/12/15



amec

Lager Acker 32
30000 Wedemark
Germany

(+49) 5130 / 58642-0
info@amec-gmbh.de
www.amec-gmbh.de

GENERAL TOLERANCE: ±0.05mm

CARD DIMENSIONS		A
FULL SIZE	30*50.95mm	50.58mm
HALF SIZE	30*26.80mm	26.43mm

UNLESS OTHERWISE SPECIFIED TOLERANCE			
UNIT:	DECIMAL	LINEAR	ANGLES
mm	X.	±0.50	±5°
	X.X	±0.25	±3°
	X.XX	±0.12	±1°



WWW.ATTEND.COM.TW

DRAWN	Fros	2014/12/15	DRAWN NAME: Recommend PCB Layout 119A-XXA00-R04 + 119A-XXLATCH
CHECKED	Ron	2014/12/15	
APPROVED	Albert	2014/12/15	PRODUCT NO.
SCALE	1/1	SHEET	1/1
SIZE	A4	FILE NAME	119A-XXA00-R04 + 119A-XXLATCH_1