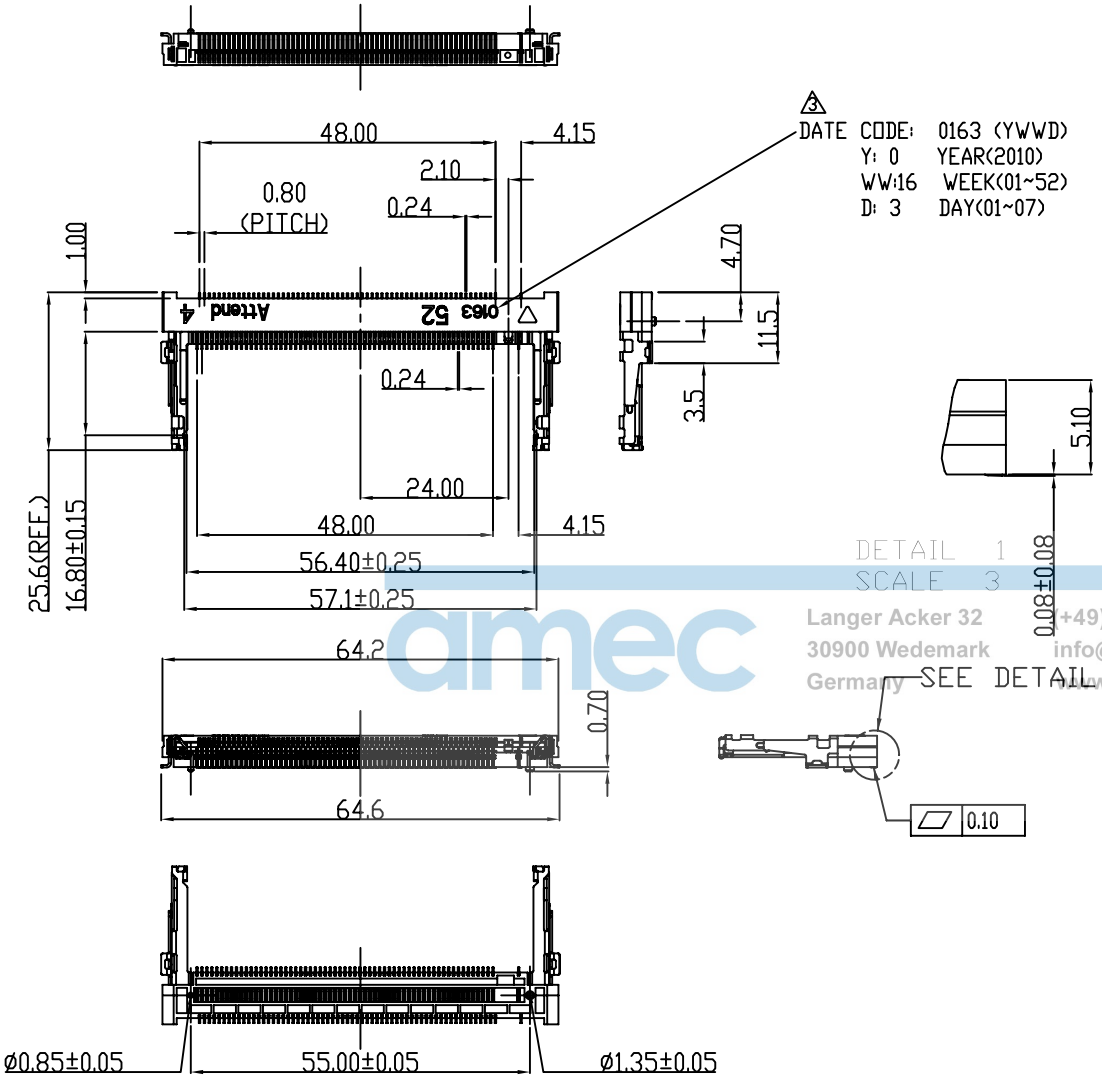


PRODUCT NO.	ITEM	PART NAME	Q'TY	MATERIAL	PLATING
114B-52B00-R02	1	BODY	1	LCP	
	3	CONTACT	124	PHOSPHOR BRONZE	GOLD 3u'
	4	LATCH	2	STAINLESS	



DATE CODE: 0163 (YWWDD)
 Y: 0 YEAR(2010)
 WW:16 WEEK(01~52)
 D: 3 DAY(01~07)

Plastic Body : LCP, Color Black.
 Contact: Phosphor Bronze Alloy (C5191R-H)
 Contact area: Gold 3 micro inches
 Solder area: Matte Tin Plated
 All under-plated Ductile Nickel 50 micro inches (Min.)
 Latch :SUS304R-1/2H, Matte Tin Plated
 Contact Resistance: 30 mΩ (Max)
 Insulation Resistance: 500 MΩ (Max.)
 Dielectric Withstanding Voltage:
 Mate connectors; apply 250V AC at 60 Hz(rms.)
 Contact Normal Force: 50 gf per pin (Min.)
 soldering heat: 260°C
 Rating Voltage: 25V AC
 Rating Current: 0.3A(Max.)/(1PIN)
 Operating Temperature: -40°C to +90°C
 Storage Temperature: -40°C to +90°C

DETAIL 1
 SCALE 3
 Langer Acker 32 +49) 5130 / 58642-0
 30900 Wedemark info@amec-gmbh.de
 Germany SEE DETAIL 1 www.amec-gmbh.de

114B-52 B 0 0-R02
 1 2 3 4

- 1.Stand off
s/o:5.2mm
- 2.Contact Plating
B:3u' Gold Plating
- 3.Color
0:Black
- 4.RoHS

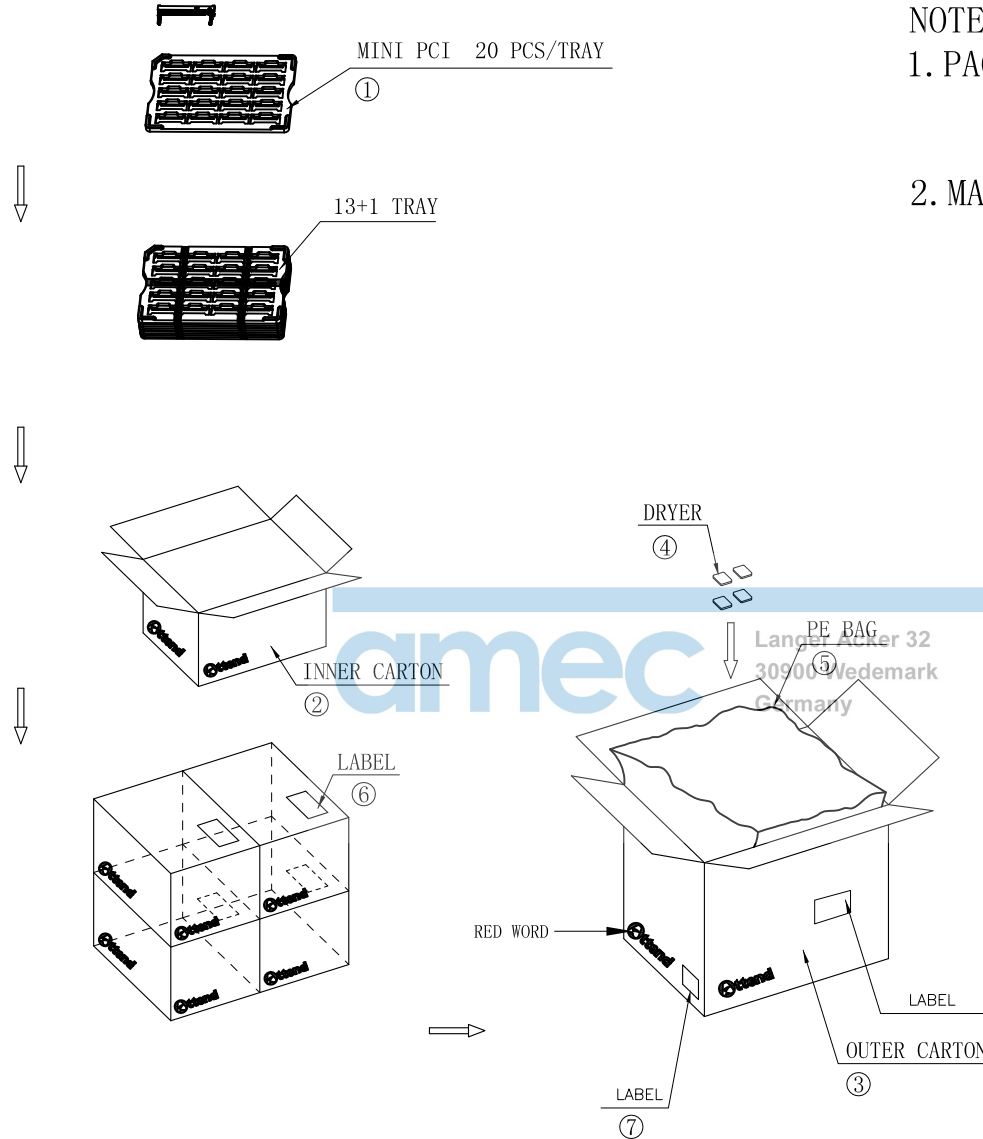
REV.	DESCRIPTION	DATE	REV.	DESCRIPTION	DATE	SIZE	REV.	FILE NAME
1			4			A4	1.0	114B-52B00-R02_B_5
2			5					
3			6					
4			7					
5			8					
6			9					
7			10					

UNLESS OTHERWISE SPECIFIED TOLERANCE		
ANGLES	ANG.	±5°
LINEAR	0.	±0.3
	0.0	±0.25
	0.00	±0.20
SCALE	AS SHOWN	UNIT: mm
DRAWN	Willis	2012/08/03
CHECKED	Angel	2012/08/03
APPROVED	Ken	2012/08/03

		www.attend.com.tw	
		DRAWN NAME: Mini PCI Socket H:5.2,Metal Grounding Type	
PRODUCT NO.		114B-52B00-R02	

NOTES:

1. PACKING STYLE 20 PCS/TRAY
260 PCS/INNER CARTON
1040 PCS/OUTER CARTON
2. MATERIAL TRAY:PET



amec

Langer Acker 32
30900 Wedemark
Germany

(+49) 5130 / 58642-0
info@amec-gmbh.de
www.amec-gmbh.de

7	LABEL	1	PCS		
6	LABEL	4	PCS		
5	PE BAG	1	PCS		
4	DRYER	4	BAG		
3	OUTER CARTON	1	PCS		
2	INNER CARTON	4	PCS		
1	TRAY	20	52+4	PCS	
		1040			
NO.	PACKING NAME	PCS/T	T/CTN.	UNIT	NOTE
		PACKING QTY			

UNLESS OTHERWISE SPECIFIED TOLERANCE		
ANGLES	ANG.	±5°
	0.	±0.3
LINEAR	0.0	±0.25
	0.00	±0.20
SCALE	AS SHOWN	UNIT: mm
DRAWN	Willis	2012/08/03
CHECKED	Angel	2012/08/03
APPROVED	Ken	2012/08/03



www.attend.com.tw

DRAWN NAME:
Mini PCI Socket H:5.2,Metal Grounding Type

PRODUCT NO. 114B-52B00-R02

REV.	DESCRIPTION	DATE	REV.	DESCRIPTION	DATE
1	2	3	4	5	6

SIZE	A4	REV.	1.0	FILE NAME	114B-52B00-R02_D_3
------	----	------	-----	-----------	--------------------