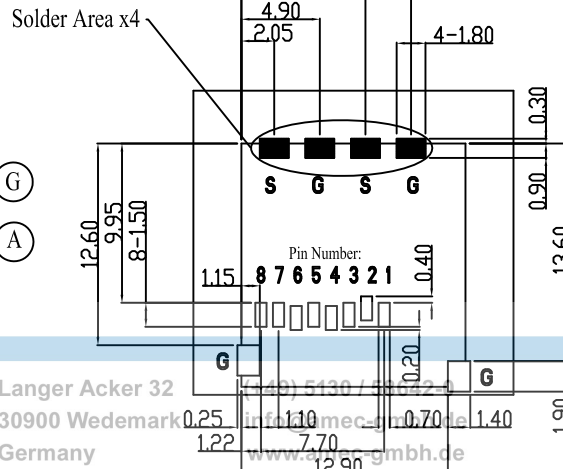
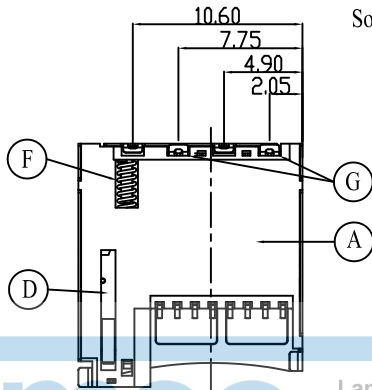
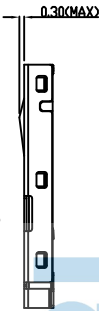
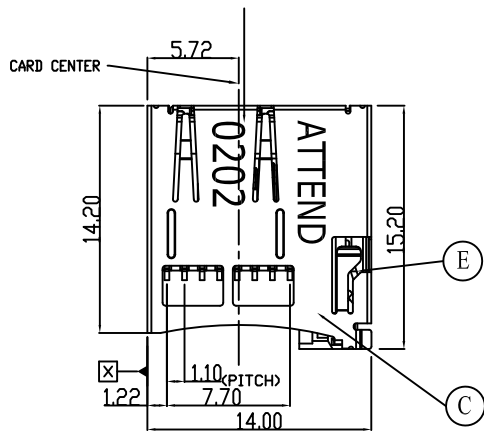


|                       |  |   |  |  |  |  |  |  |  |
|-----------------------|--|---|--|--|--|--|--|--|--|
| SWITCH CIRCUIT        |  | MATERIAL AND FINISH AS BELOW                              |  |  |  |  |  |  |  |
| WHEN CARD IS EJECTED  |  | A Housing   |  |  |  | E Drag Link                                      |  |  |  |
| WHEN CARD IS INSERTED |  | B Contact   |  |  |  | F Spring   |  |  |  |
| CLOSE                 |  | C Shell   |  |  |  | G Switch   |  |  |  |
| OPEN                  |  | D Slider  |  |  |  | H  |  |  |  |
|                       |  | LCP+30% G/F   |  |  |  | Stainless Steel SUS304                           |  |  |  |
|                       |  | Phosphor Bronze C5210-EH, Contact Area:10u * Gold Plating |  |  |  | Piano Wire                                       |  |  |  |
|                       |  | Stainless Steel SUS304R-3/4H, Solder Area:Gold Flash      |  |  |  | Phosphor Bronze C5191-H, Contact Area:Gold Flash |  |  |  |
|                       |  | LCP+30% G/F   |  |  |  |  |  |  |  |

NOTES:

- DATE CODE 0202 (YWWDD)  
Y:0 YEAR(2010)  
WW:20 WEEK(01-52)  
D:2 DAY(01-07)
- 0202 WIDE x HIGH(6mm x 2mm)



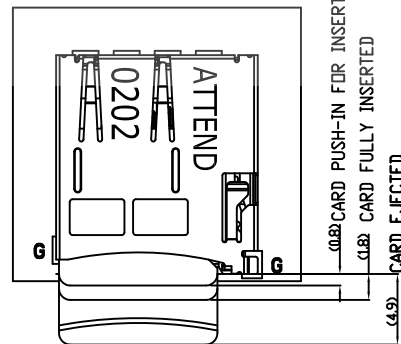
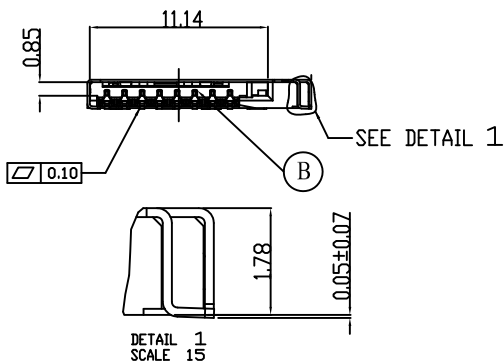
**SPECIFICATION:**

- ELECTRICAL**
  - Current Rating: 0.5A per pin
  - Voltage Rating: 100V AC/DC
  - Contact Resistance: 50mΩ
  - Insulation Resistance: 1000MΩ
  - Dielectric Withstanding Voltage: 500VAC

- MECHANICAL**
  - Durability: 10000 Cycle
  - Insertion Force: 9.8N max.
  - Extraction Force: 9.8N max.

- ENVIRONMENTAL**
  - Operating temperature range: -40°C~+90°C
  - Storage temperature range: -40°C~+90°C

- SOLDER ABILITY**
  - Recommended IR Reflow Temperature: 260°C
  - Recommended PCB Thickness: 1.0mm



Langer Acker 32  
30900 Wedemark  
Germany  
www.langeracker.com

|      |         |     |     |     |     |      |      |           |     |
|------|---------|-----|-----|-----|-----|------|------|-----------|-----|
| DAT2 | CD/DAT3 | CMD | VDD | CLK | VSS | DAT0 | DAT1 | DETECTION | GND |
| P1   | P2      | P3  | P4  | P5  | P6  | P7   | P8   | S         | G   |

PIN ASSIGNMENT

|               |   |
|---------------|---|
| 112A-TAAR-R03 | Top Mount, Push-Push Type, Contact Area: 10u * Gold Plating |
|---------------|---|

|             |             |
|-------------|-------------|
| PRODUCT NO. | DESCRIPTION |
|-------------|-------------|

|                                      |          |            |
|--------------------------------------|----------|------------|
| UNLESS OTHERWISE SPECIFIED TOLERANCE |          |            |
| ANGLES                               | ANG.     | ±5°        |
| LINEAR                               | 0.       | ±0.3       |
|                                      | 0.0      | ±0.25      |
|                                      | 0.00     | ±0.20      |
| SCALE                                | AS SHOWN | UNIT: mm   |
| DRAWN                                | Willis   | 2013/10/31 |
| CHECKED                              | Angel    | 2013/10/31 |
| APPROVED                             | Ken      | 2013/10/31 |



www.attend.com.tw

DRAWN NAME: Micro SD Socket Top Mount, Push-Push Type

PRODUCT NO. 112A-TAAR-R03

|      |             |      |      |             |      |         |          |           |                   |
|------|-------------|------|------|-------------|------|---------|----------|-----------|-------------------|
| REV. | DESCRIPTION | DATE | REV. | DESCRIPTION | DATE | SIZE A4 | REV. 1.0 | FILE NAME | 112A-TAAR-R03_B_1 |
| 1    |             |      | 2    |             |      |         |          |           |                   |